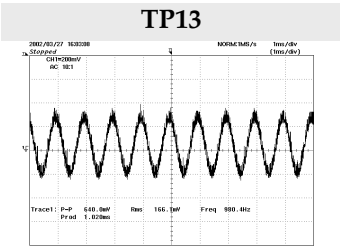
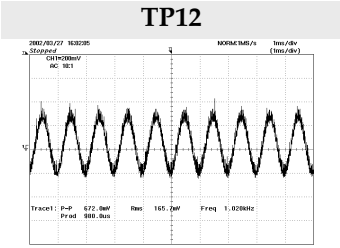
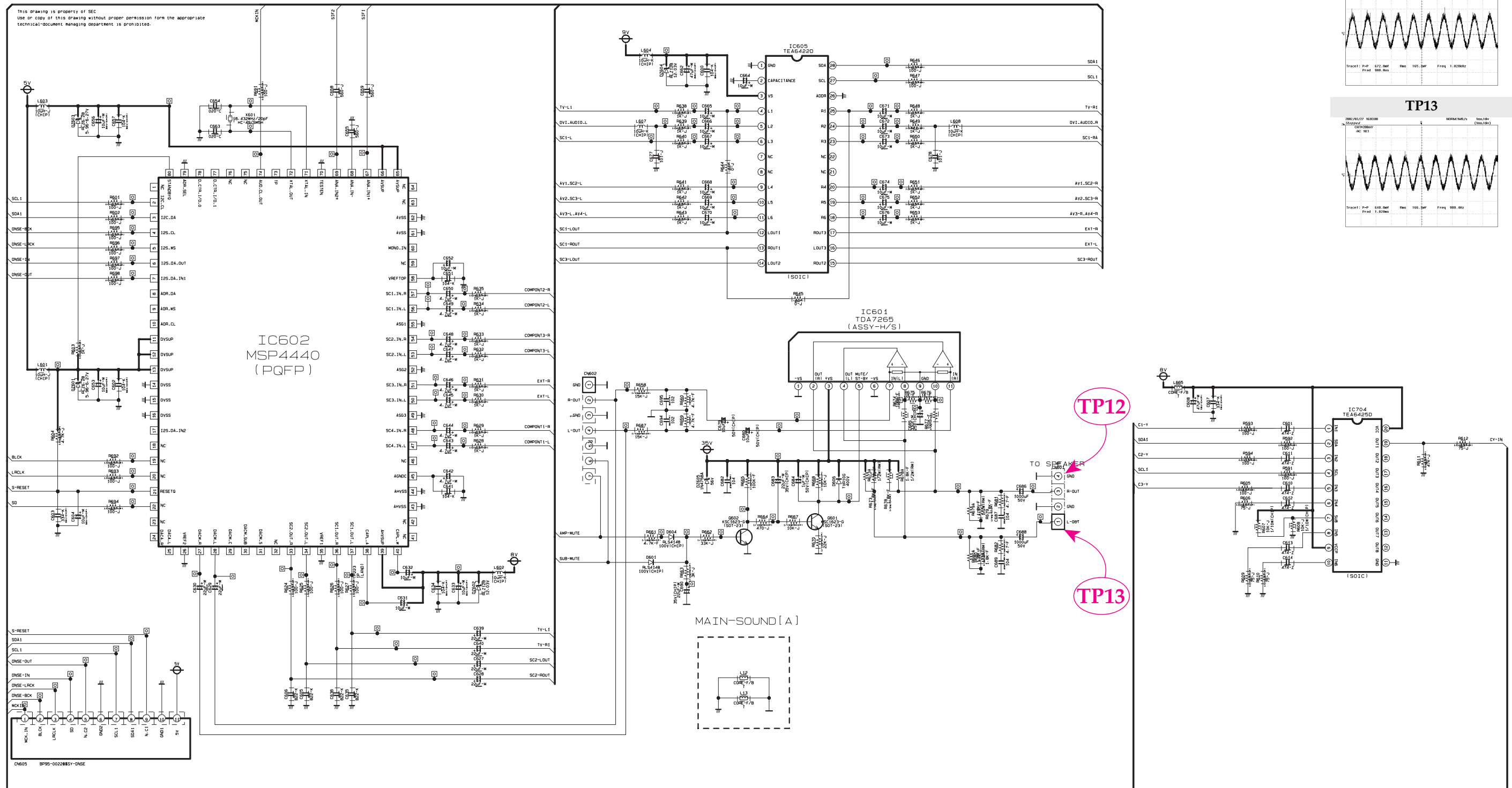


# 7. Schematic Diagrams

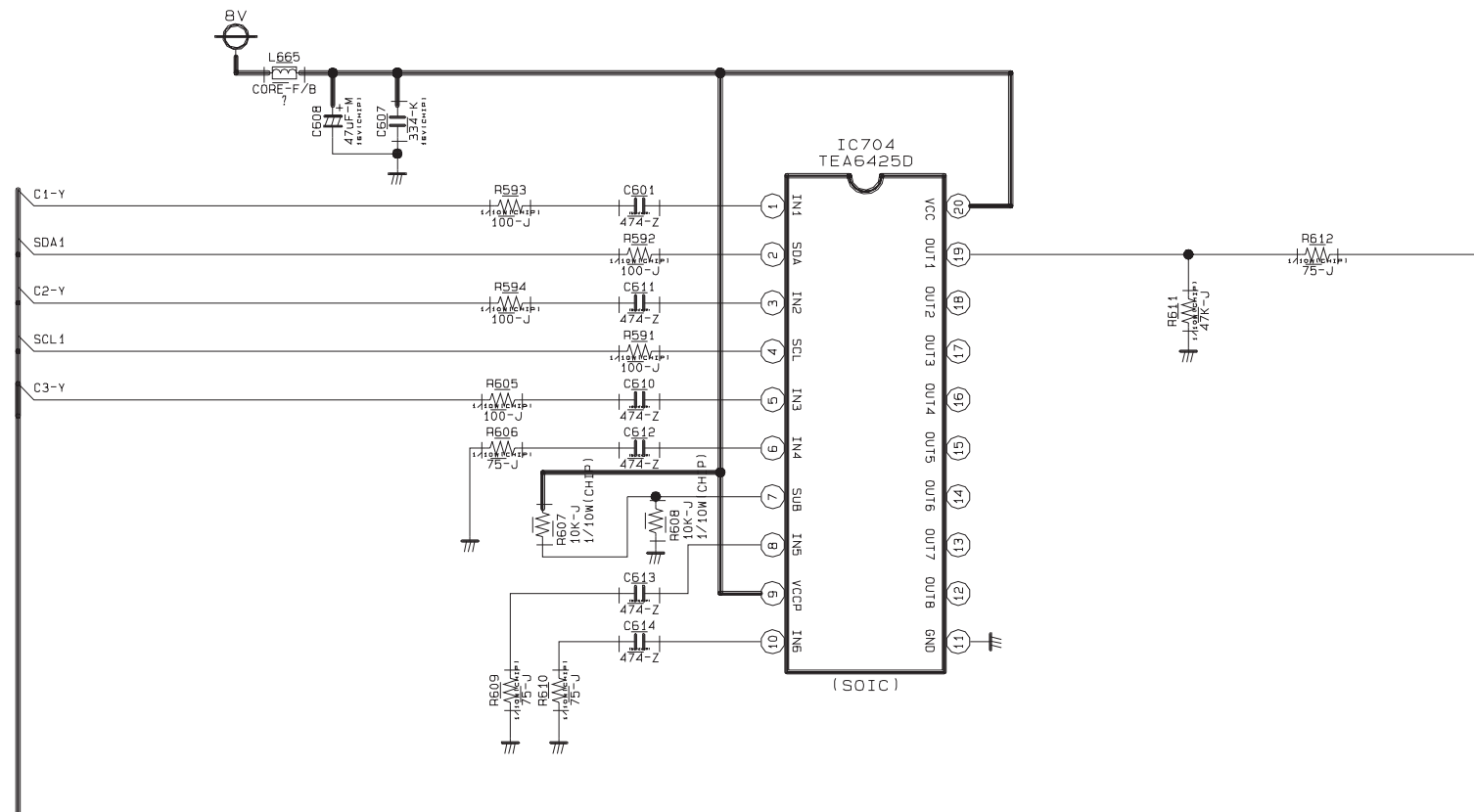
## 7-1 MAIN 1

This Document can not be used without Samsung's authorization.



## 7-2 MAIN 2

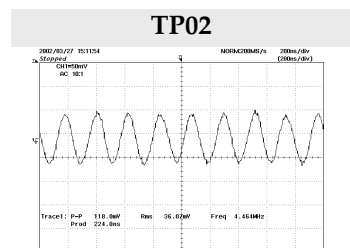
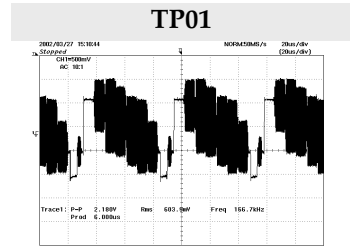
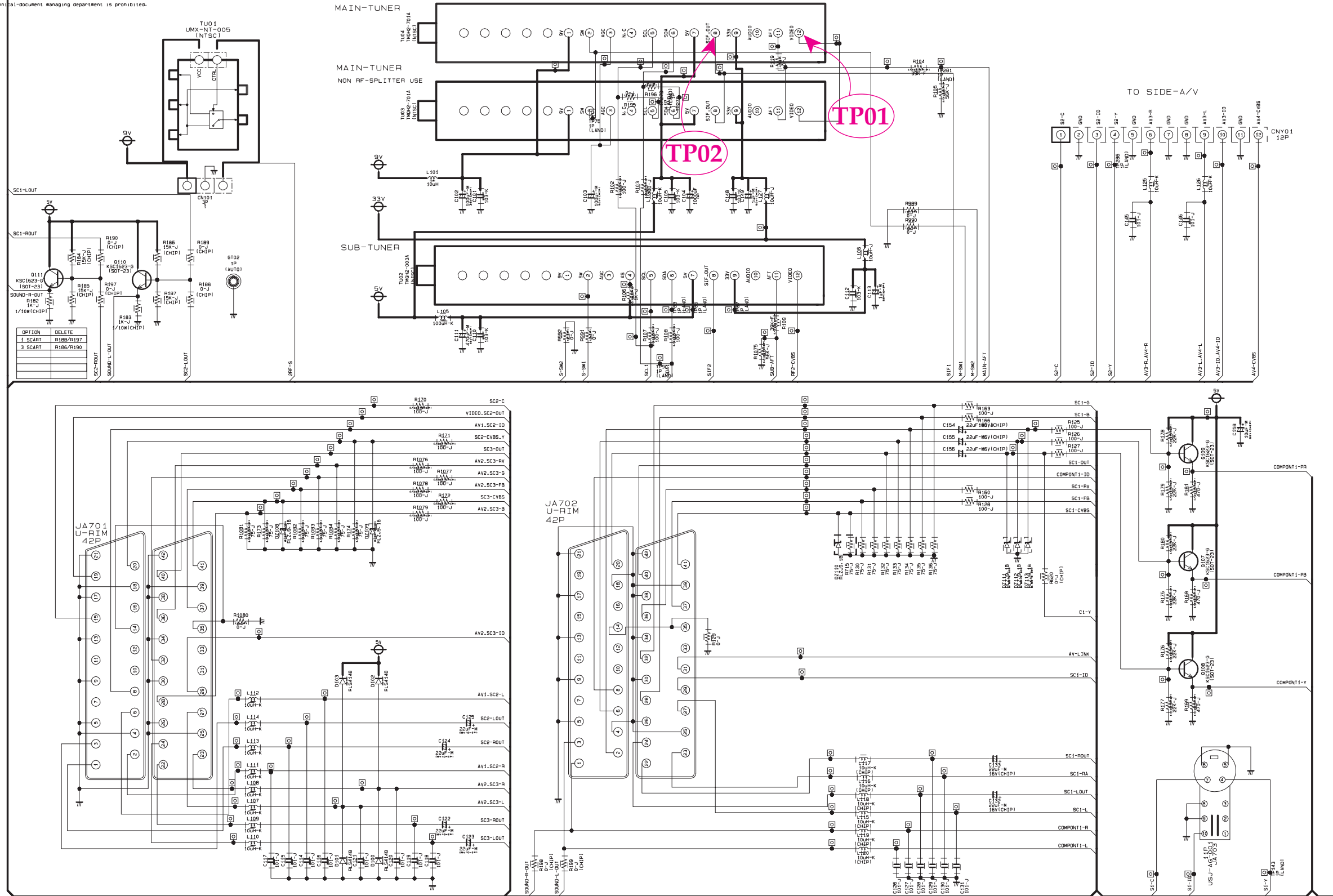
This Document can not be used without Samsung's authorization.



### 7-3 MAIN 3

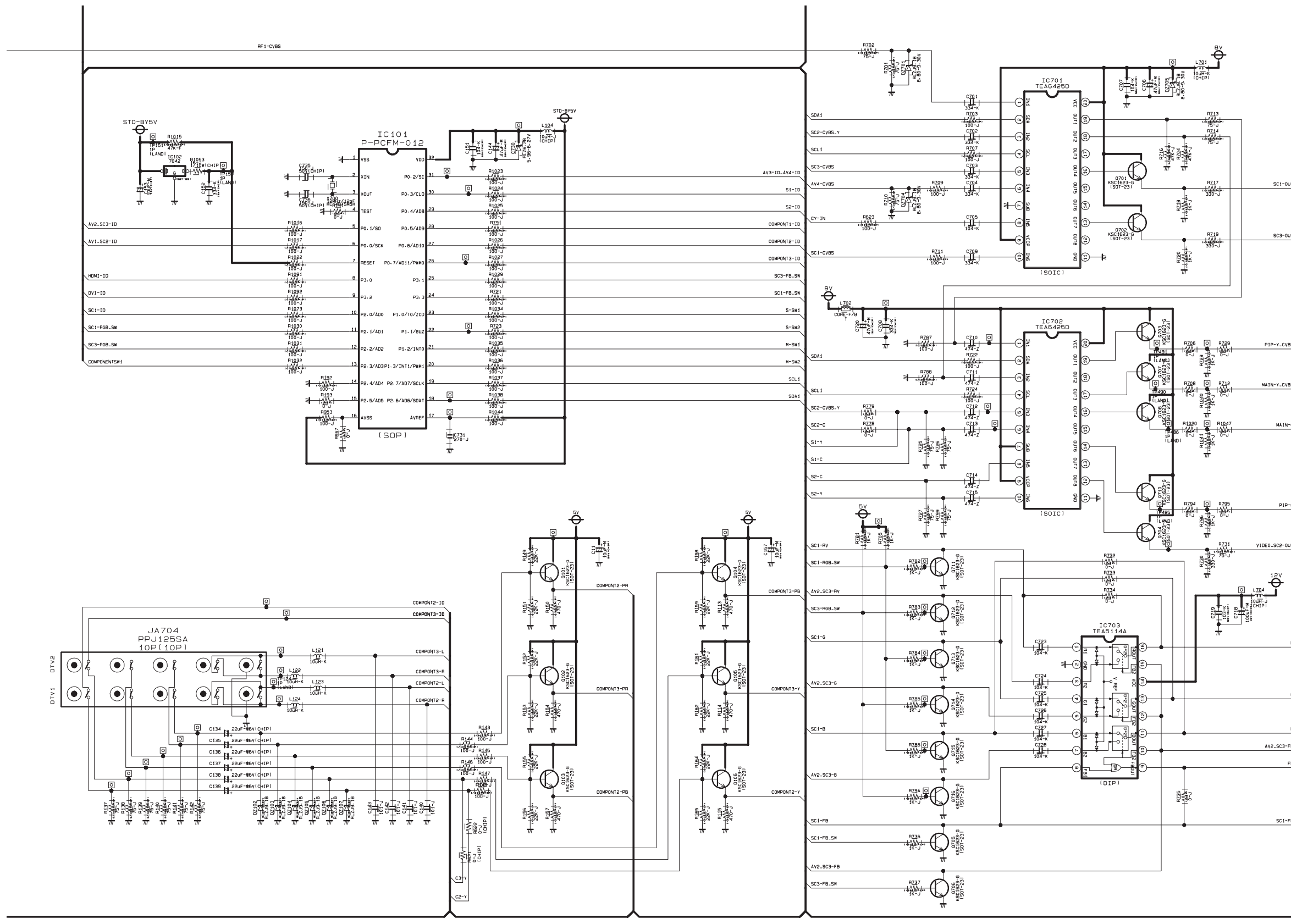
This Document can not be used without Samsung's authorization.

This drawing is property of SEC  
 Use or copy of this drawing without proper permission from the appropriate  
 technical document managing department is prohibited.



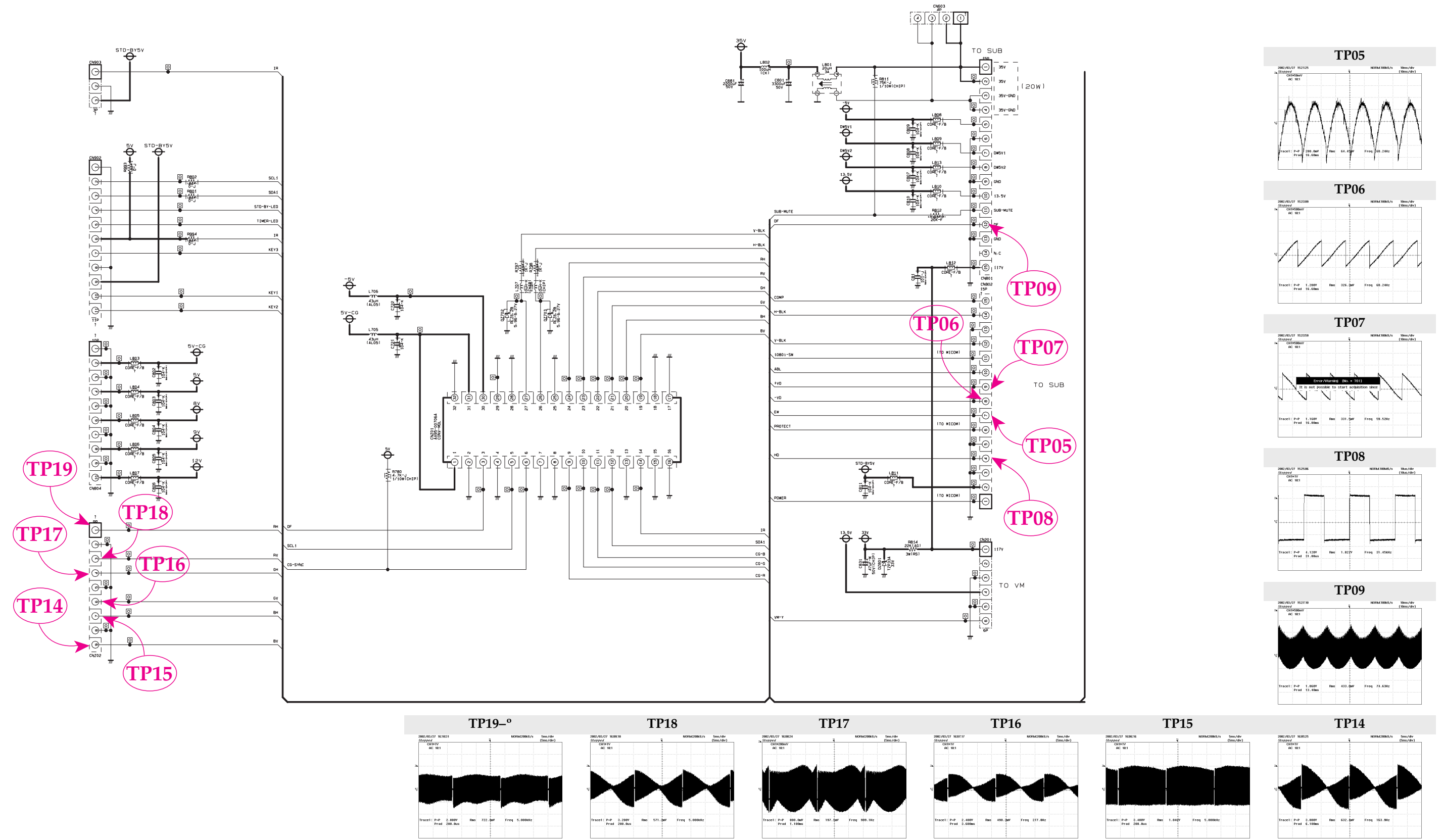
### 7-4 MAIN 4

This Document can not be used without Samsung's authorization.



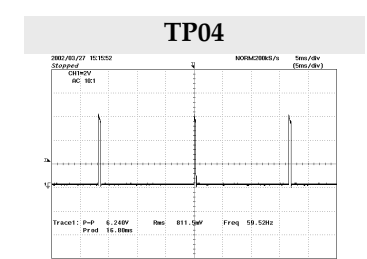
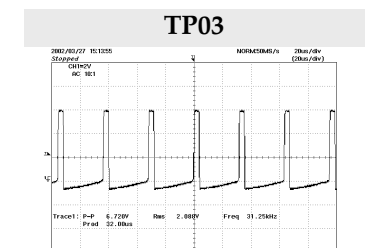
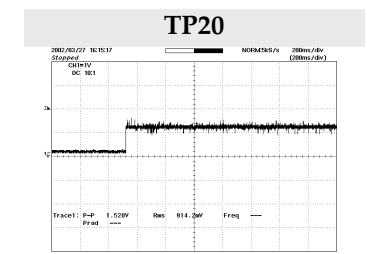
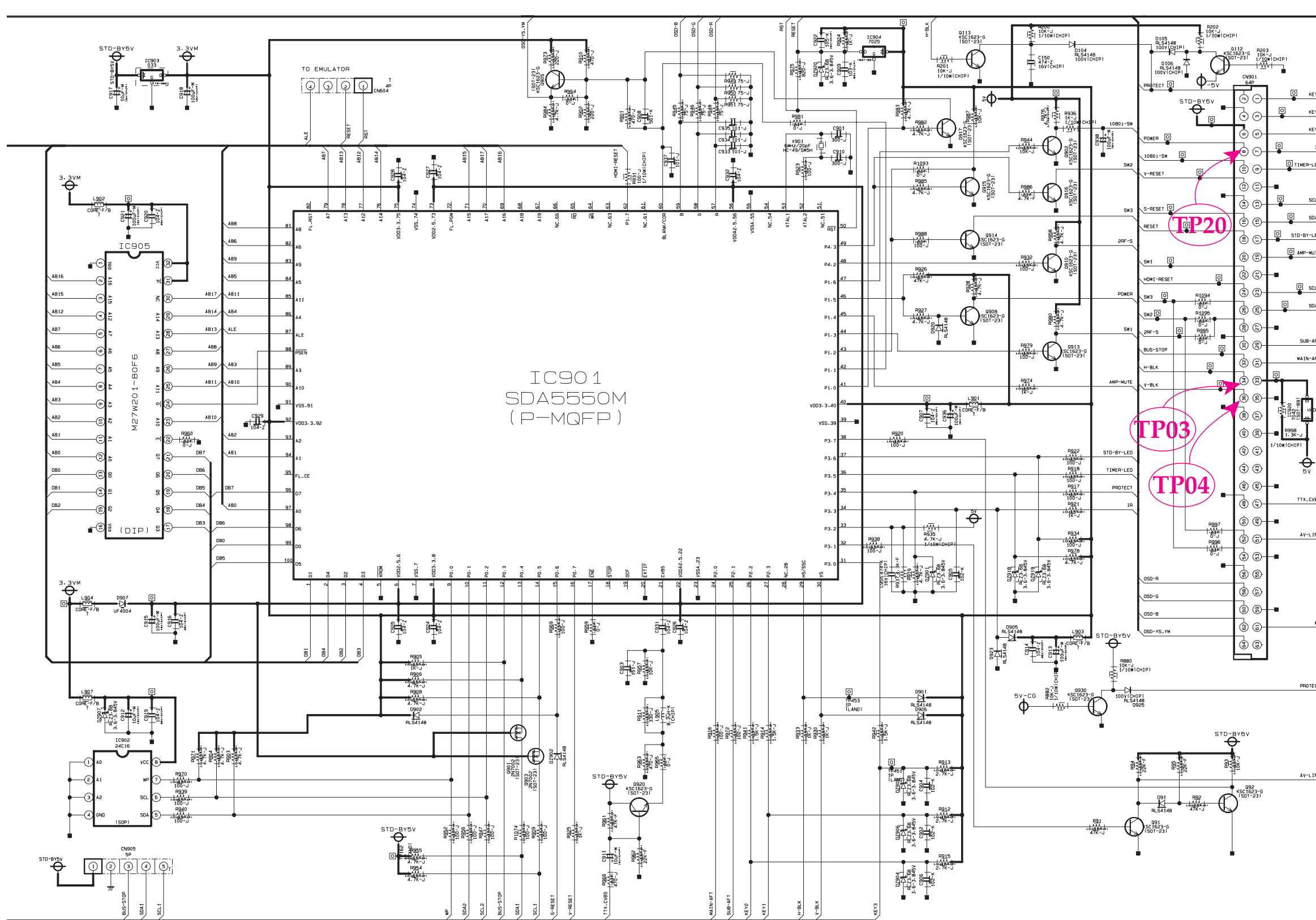
### 7-5 MAIN 5

This Document can not be used without Samsung's authorization.



### 7-6 MAIN 6

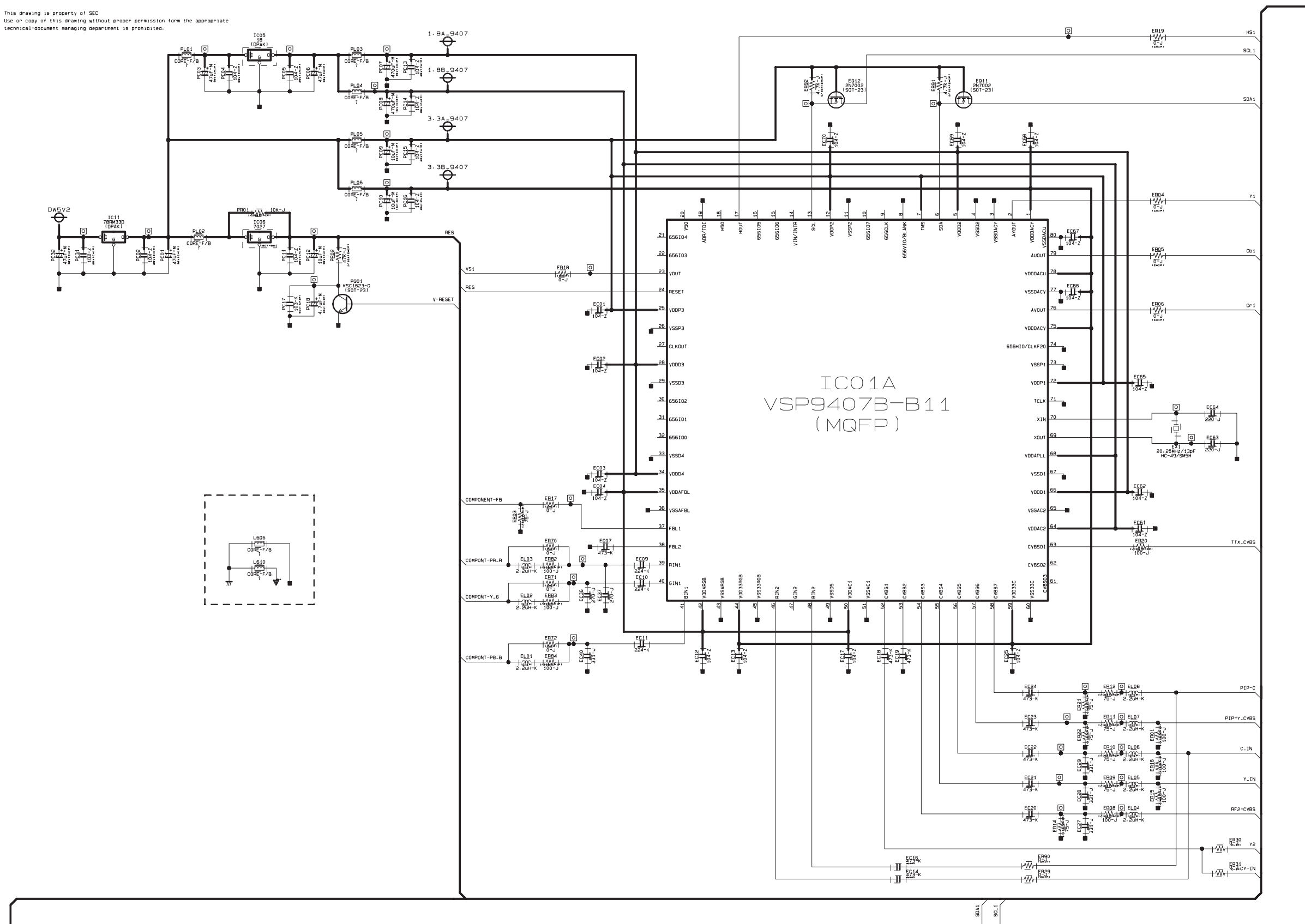
This Document can not be used without Samsung's authorization.



### 7-7 MAIN 7

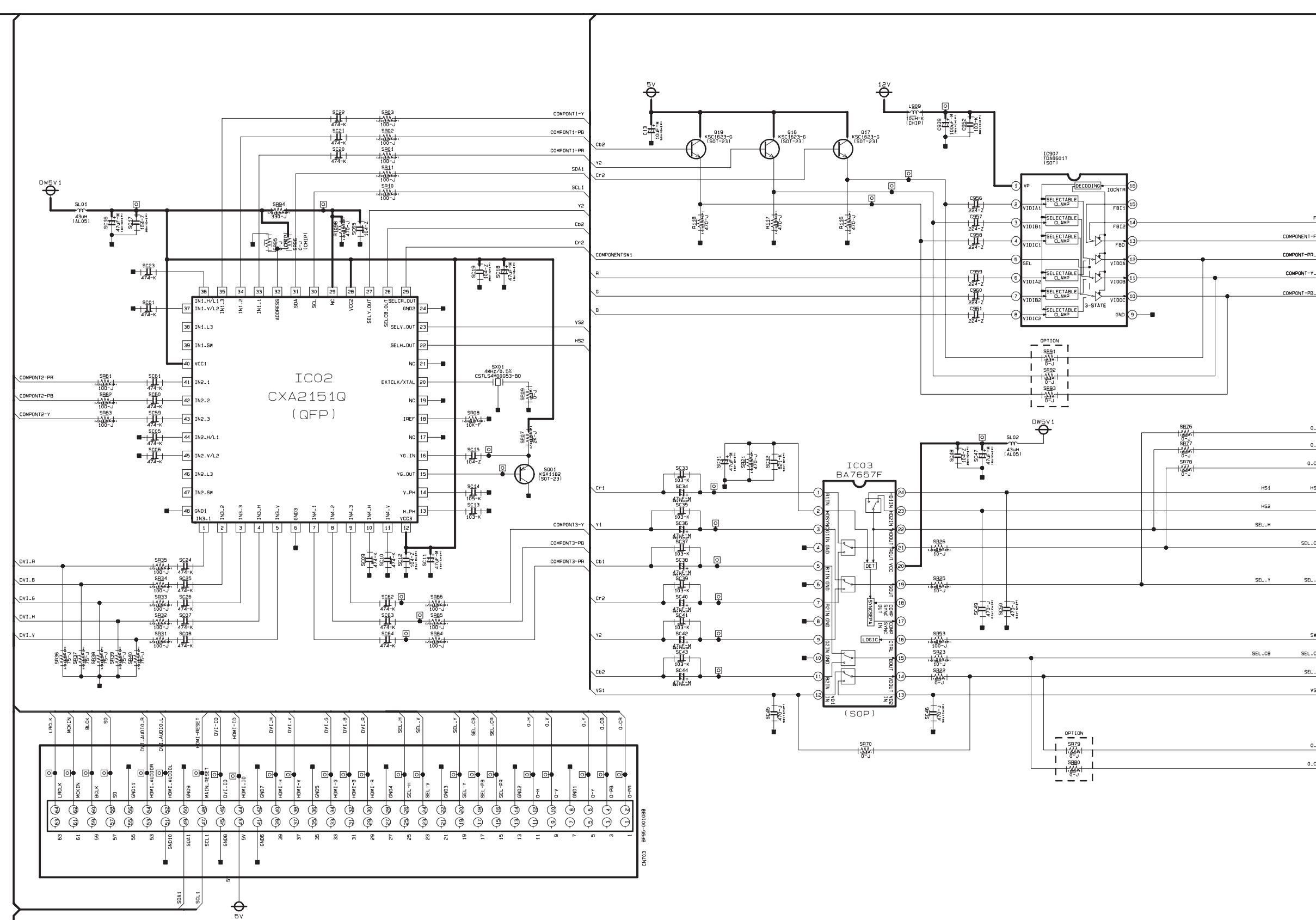
This Document can not be used without Samsung's authorization.

This drawing is property of SEC  
Use or copy of this drawing without proper permission from the appropriate  
technical-document managing department is prohibited.



### 7-8 MAIN 8

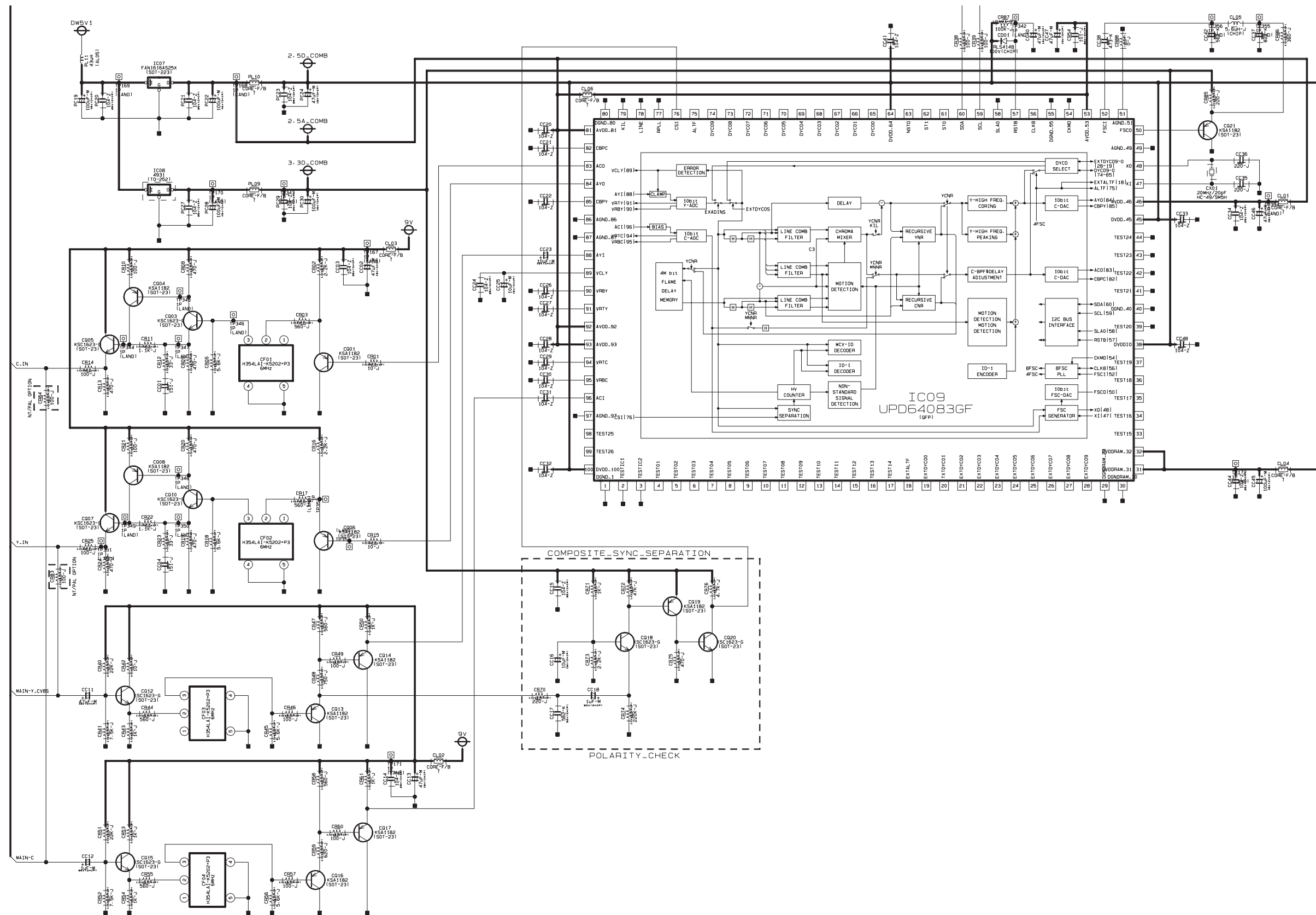
This Document can not be used without Samsung's authorization.





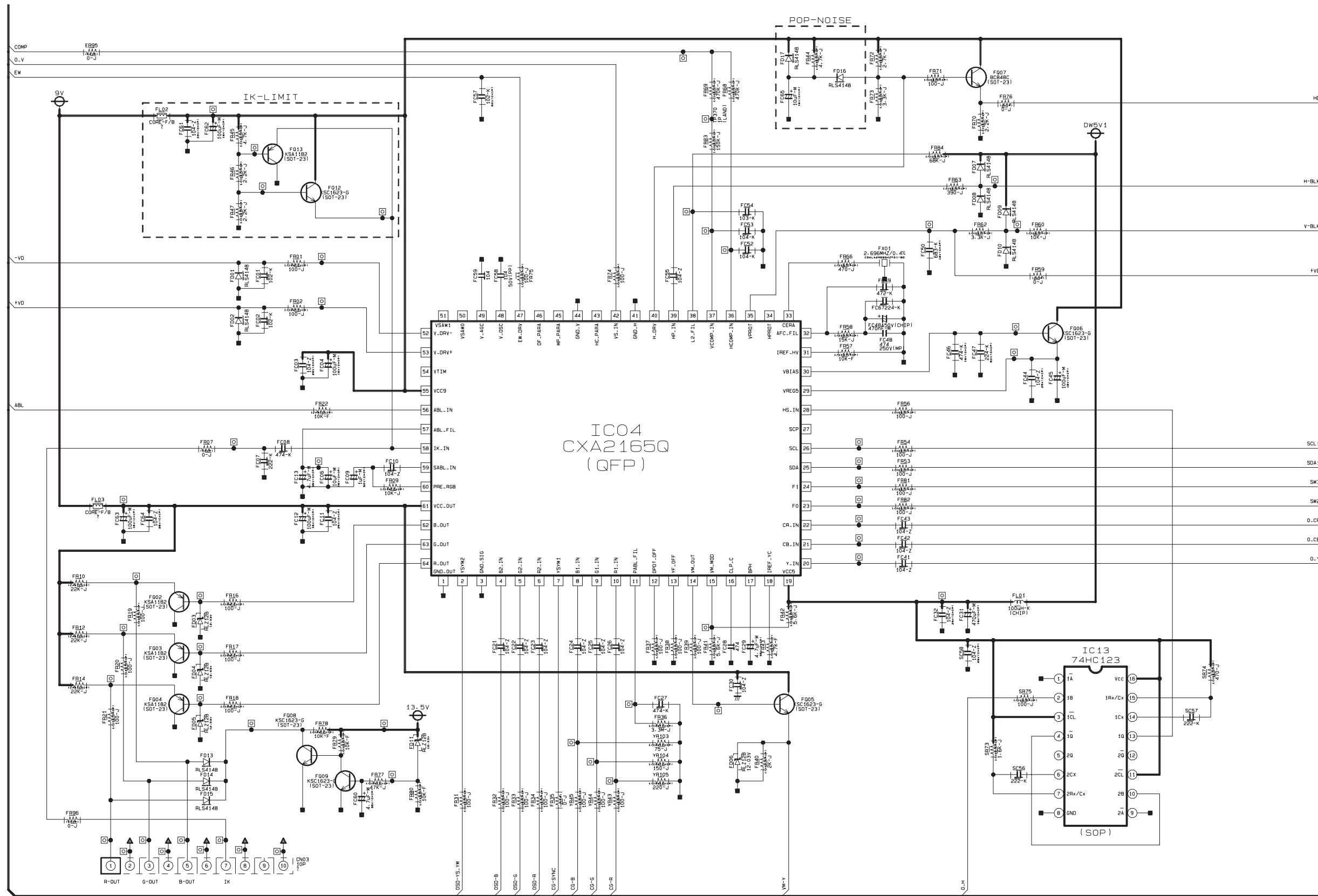
### 7-9 MAIN 9

This Document can not be used without Samsung's authorization.



# 7-10 MAIN 10

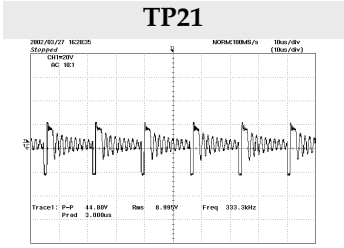
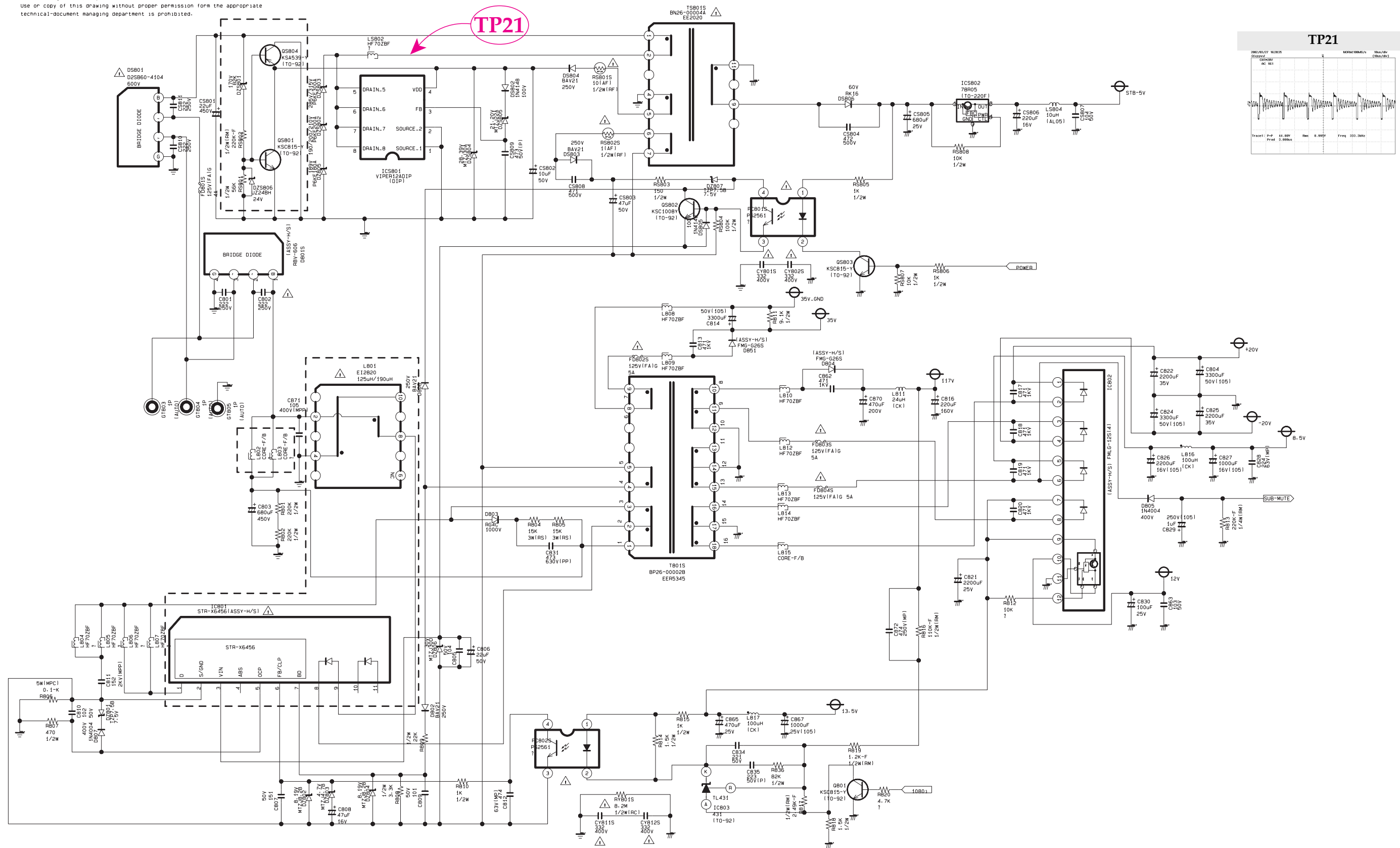
This Document can not be used without Samsung's authorization.



# 7-11 SUB 1

This Document can not be used without Samsung's authorization.

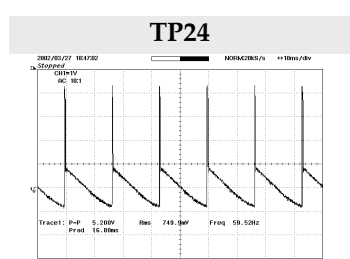
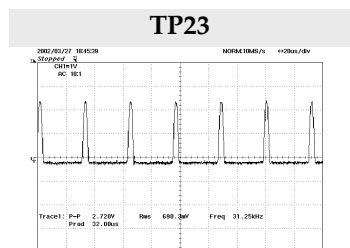
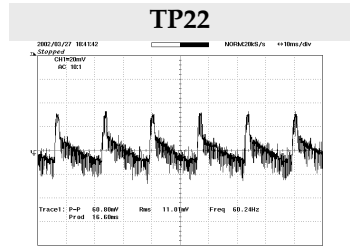
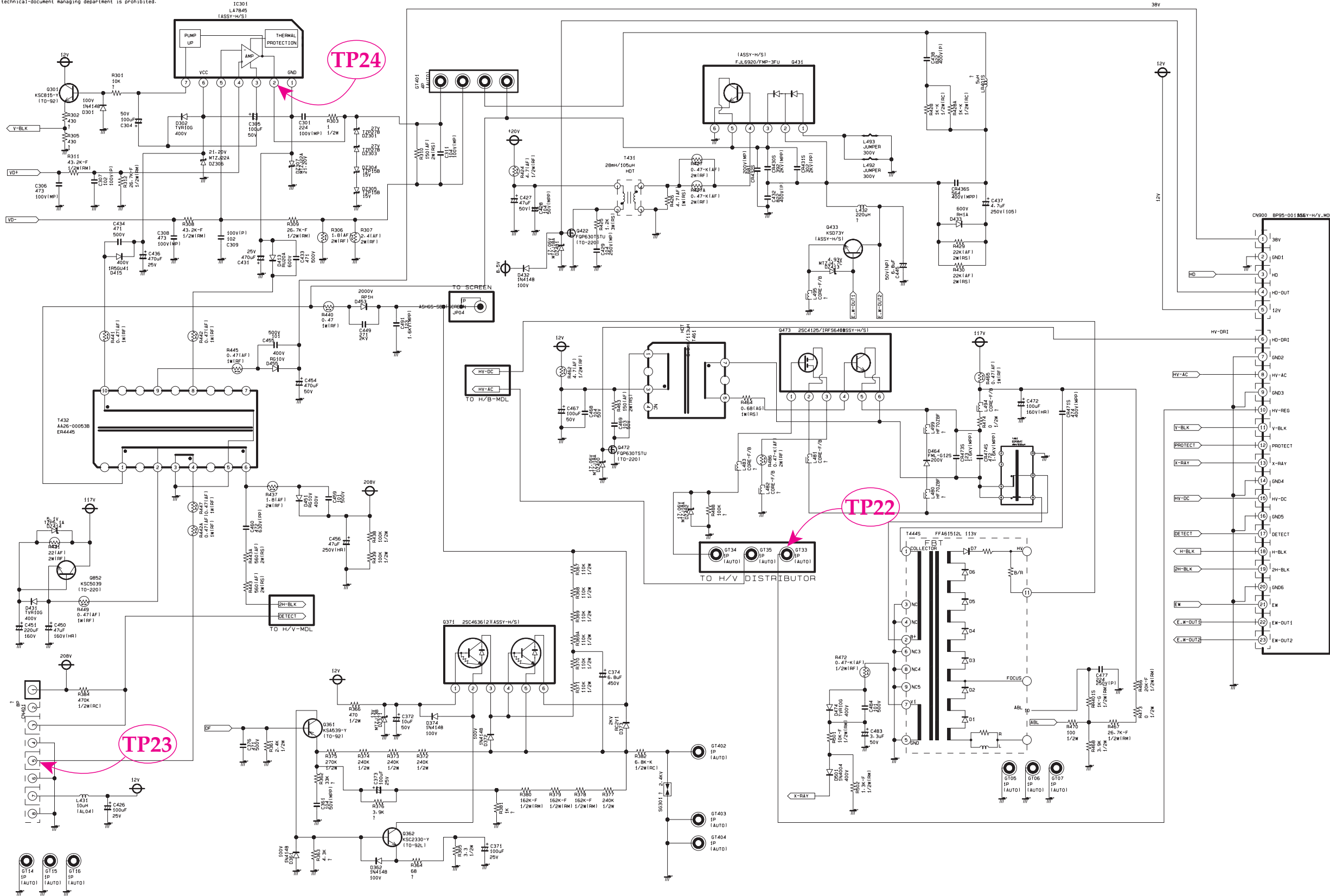
This drawing is property of SEC  
Use or copy of this drawing without proper permission from the appropriate  
technical-document managing department is prohibited.



# 7-12 SUB 2

This Document can not be used without Samsung's authorization.

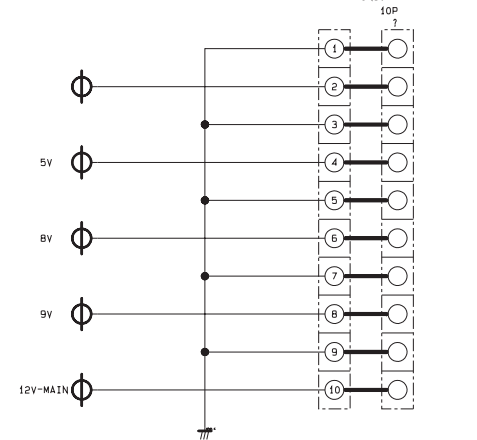
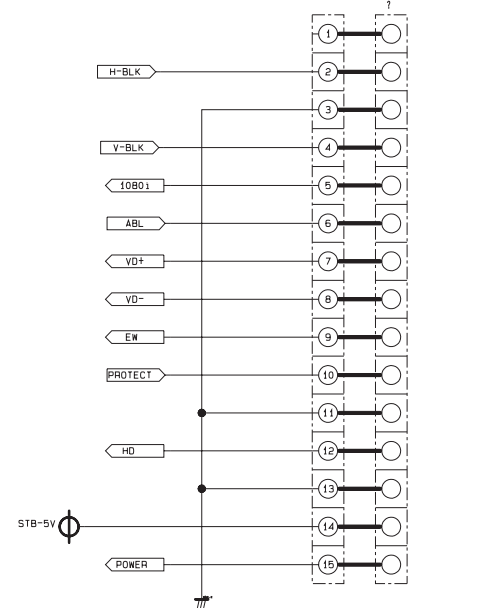
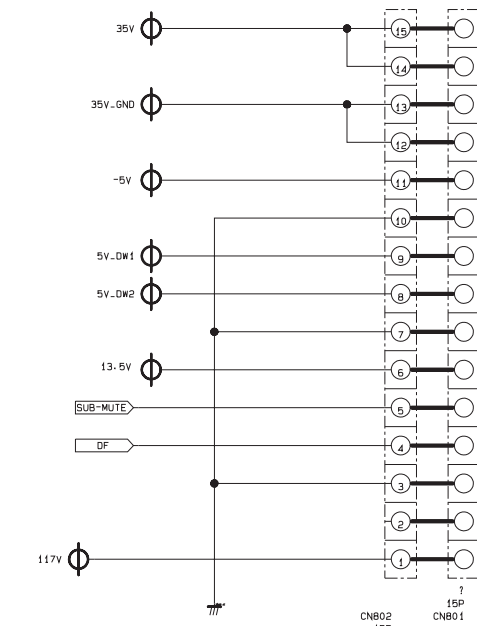
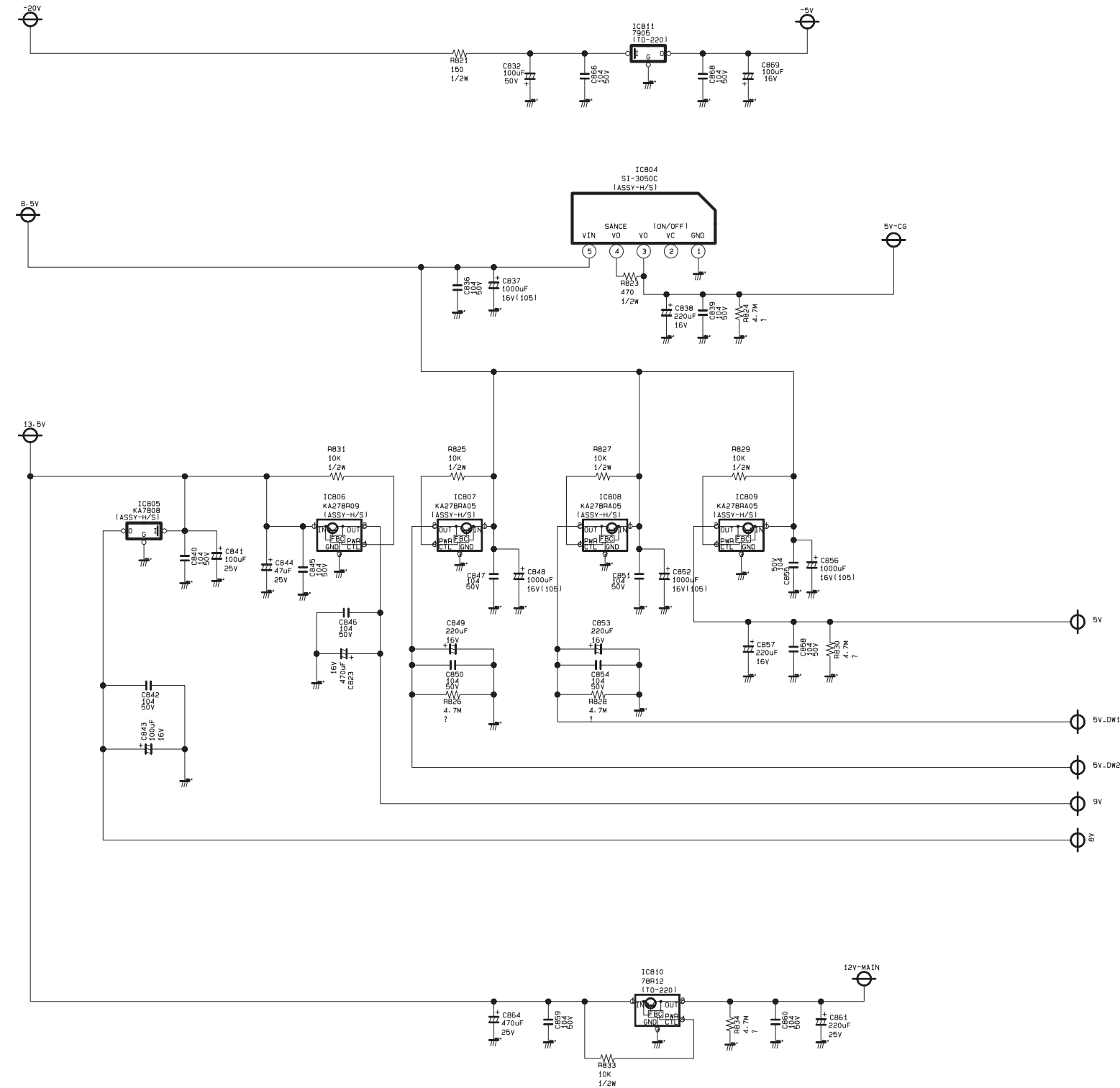
This drawing is property of SEC  
Use or copy of this drawing without proper permission from the appropriate  
technical-document managing department is prohibited.



### 7-13 SUB 3

This Document can not be used without Samsung's authorization.

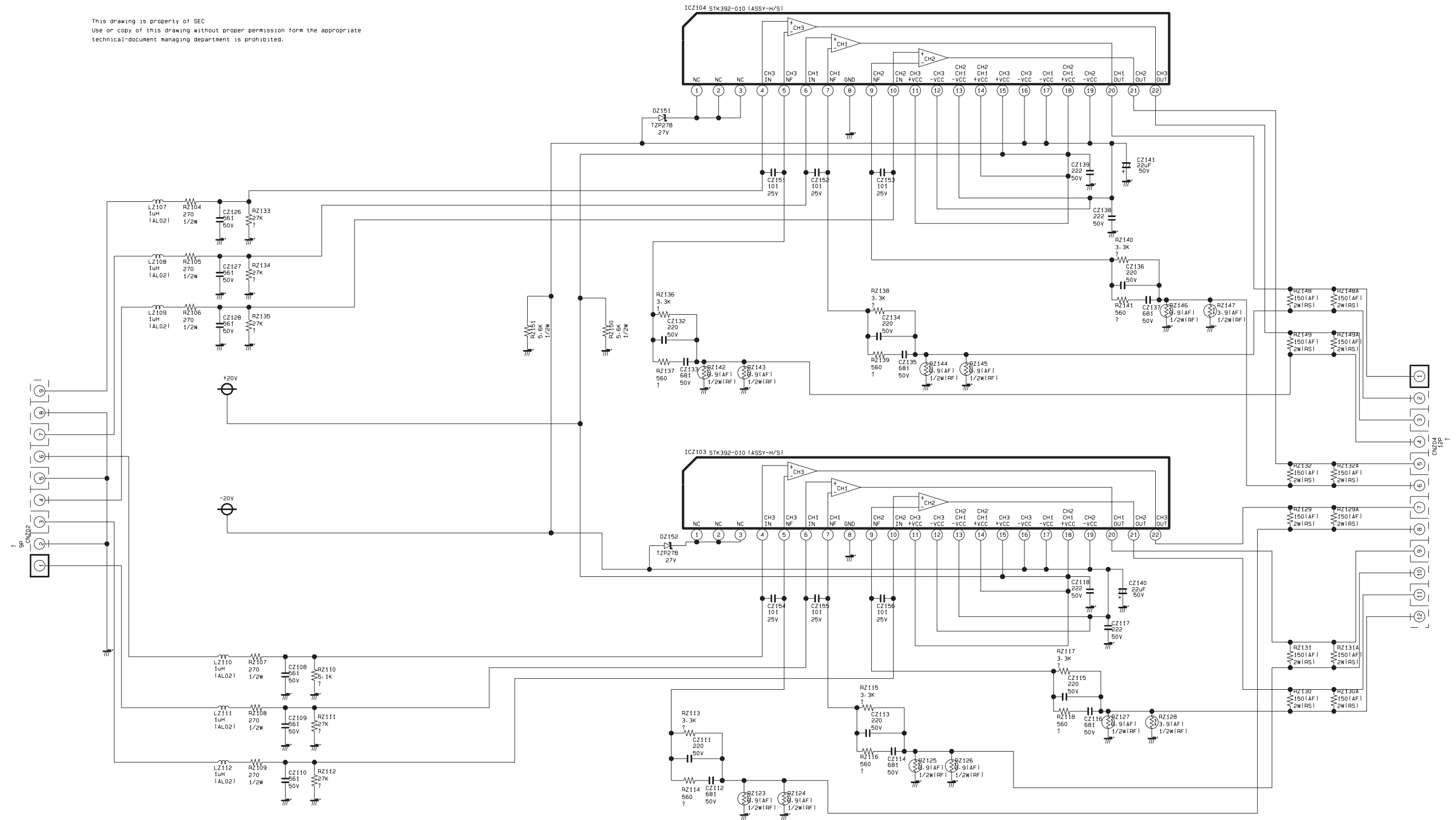
This drawing is property of SEC.  
Use or copy of this drawing without proper permission from the appropriate technical-document managing department is prohibited.



### 7-14 SUB 4

This Document can not be used without Samsung's authorization.

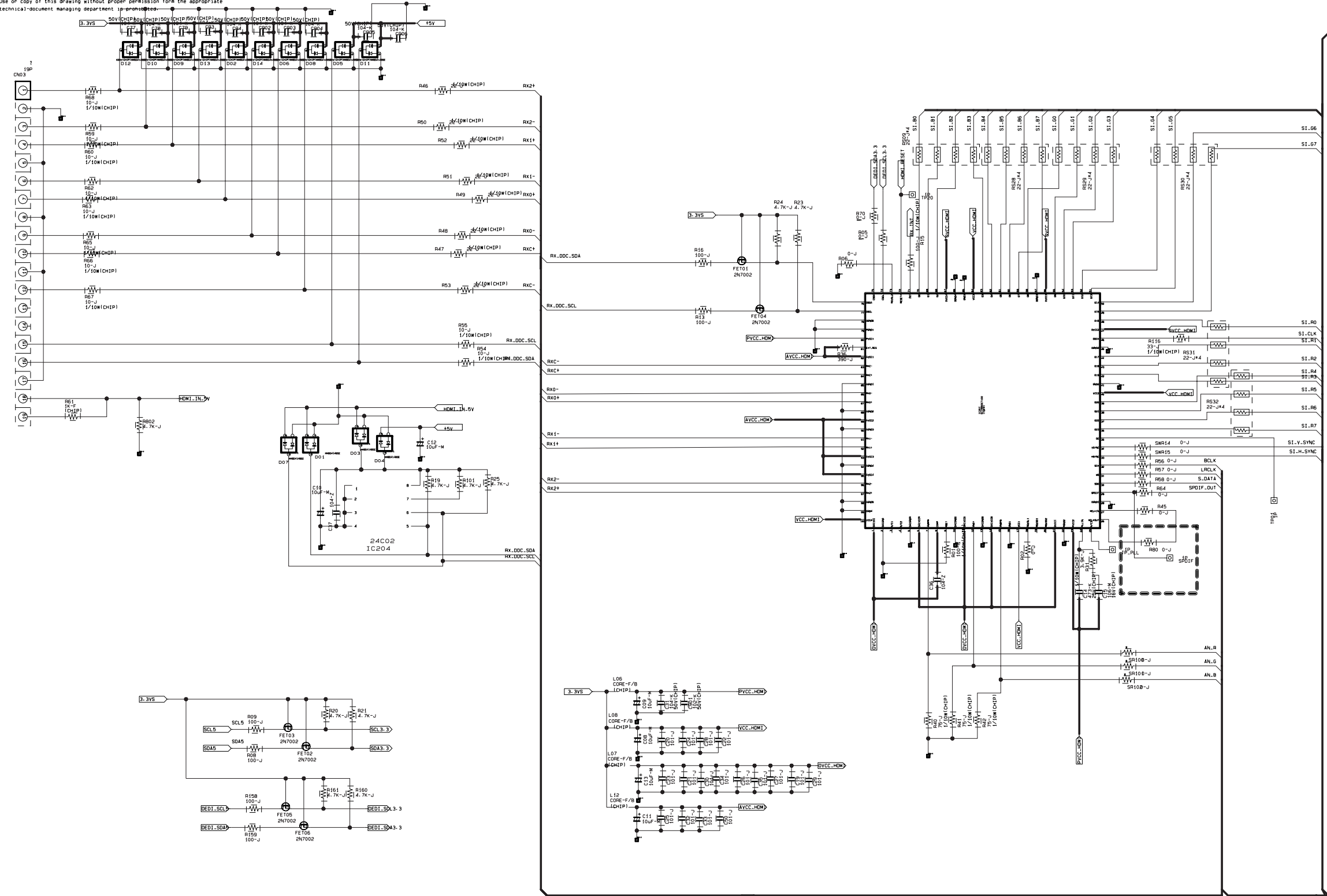
This drawing is property of SEC  
Use or copy of this drawing without proper permission from the appropriate  
technical-document managing department is prohibited.



# 7-15 HDMI 1

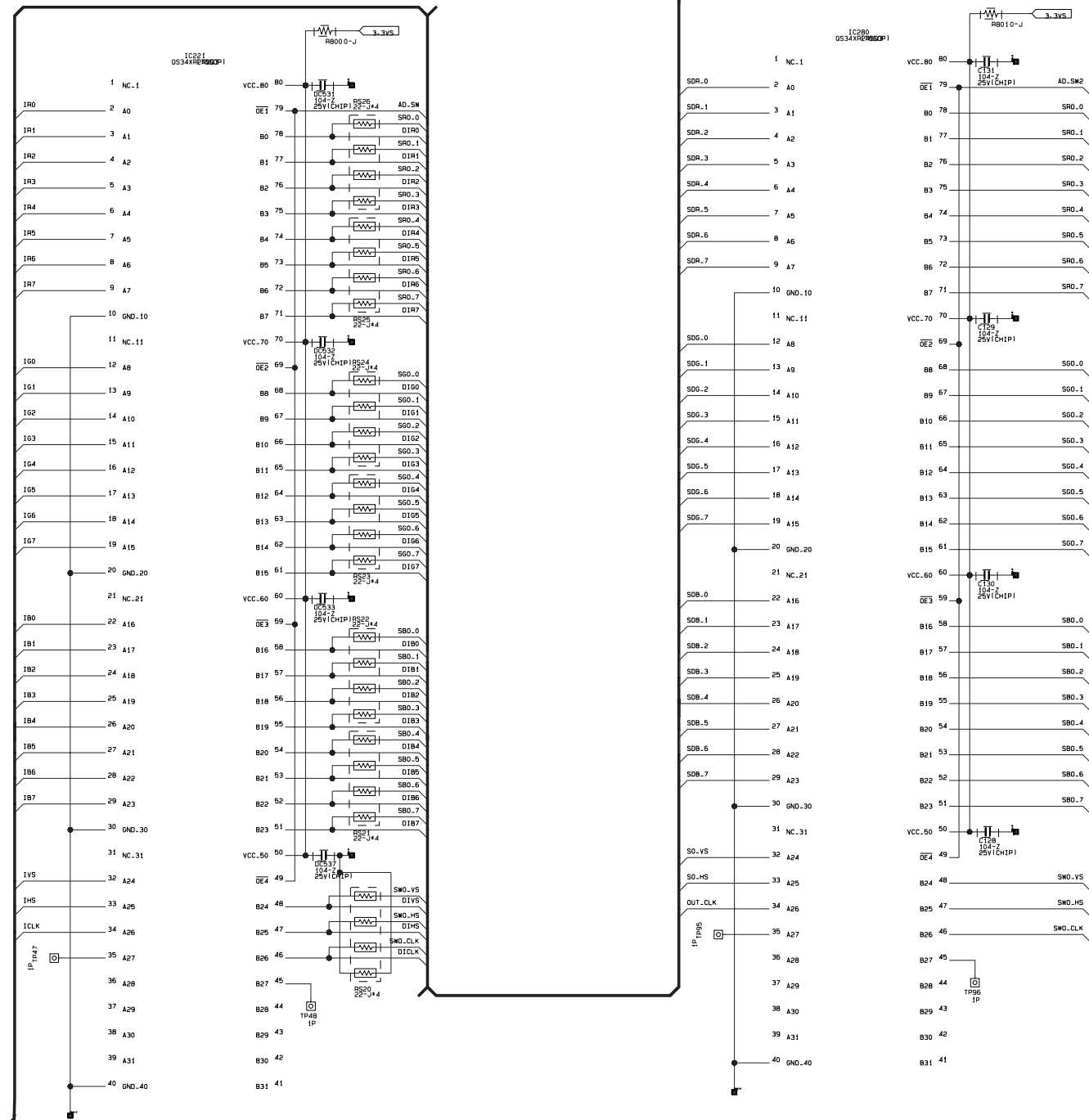
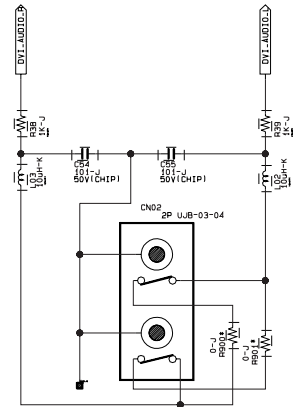
This Document can not be used without Samsung's authorization.

This drawing is property of SEC  
 Use or copy of this drawing without proper permission from the appropriate  
 technical document managing department is prohibited.



## 7-16 HDMI 2

This Document can not be used without Samsung's authorization.

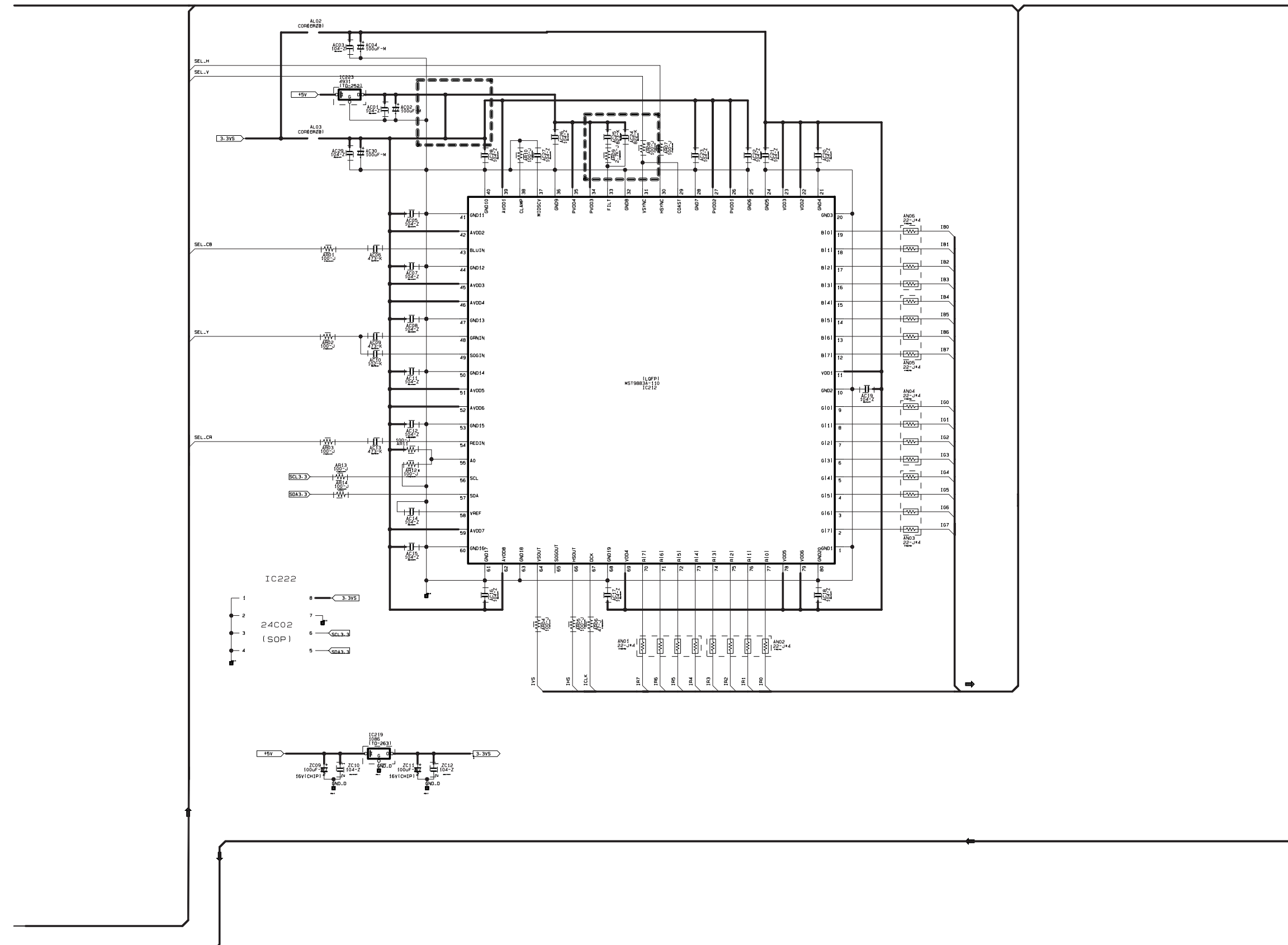






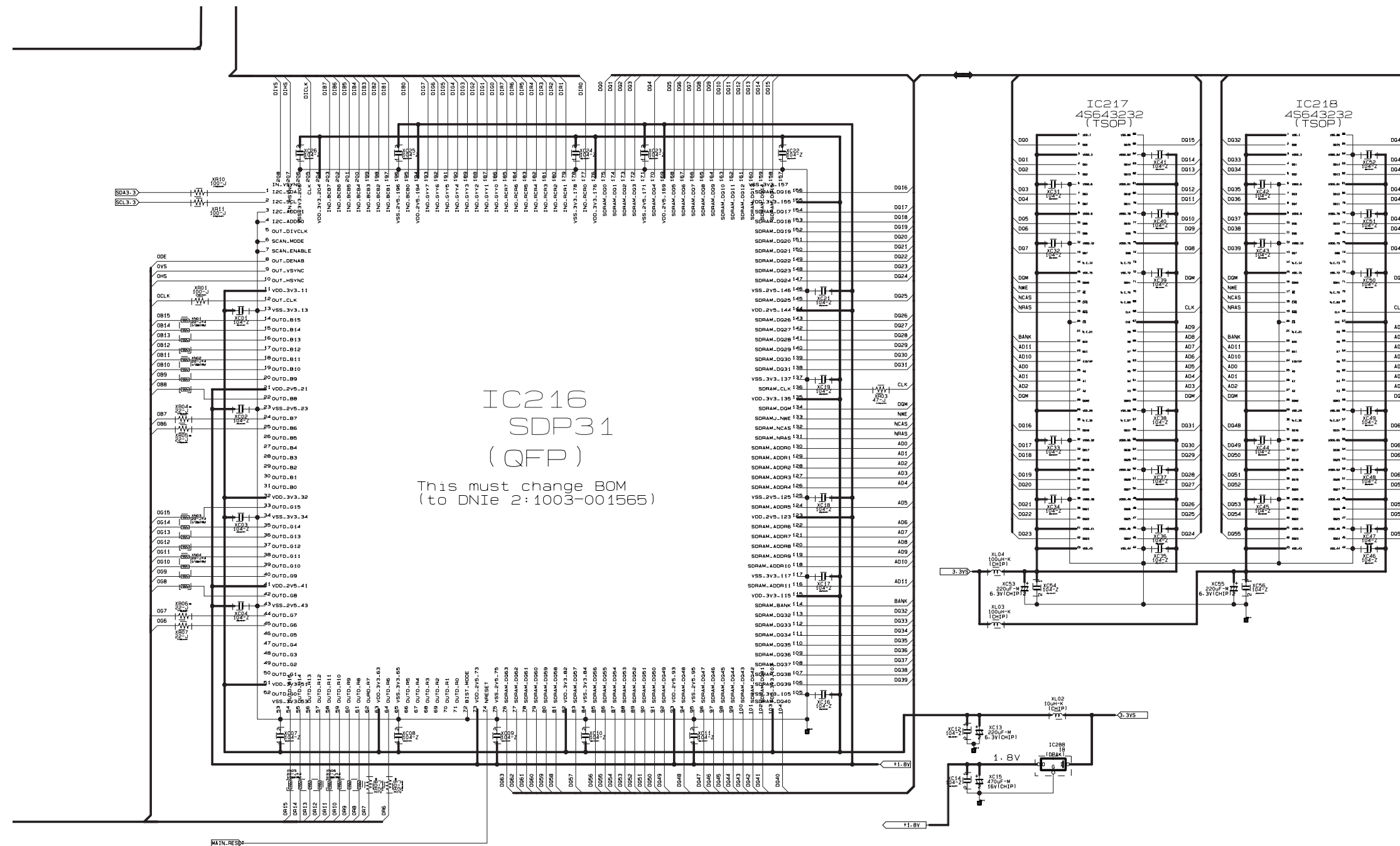
### 7-18 HDMI 4

This Document can not be used without Samsung's authorization.



### 7-19 HDMI 5

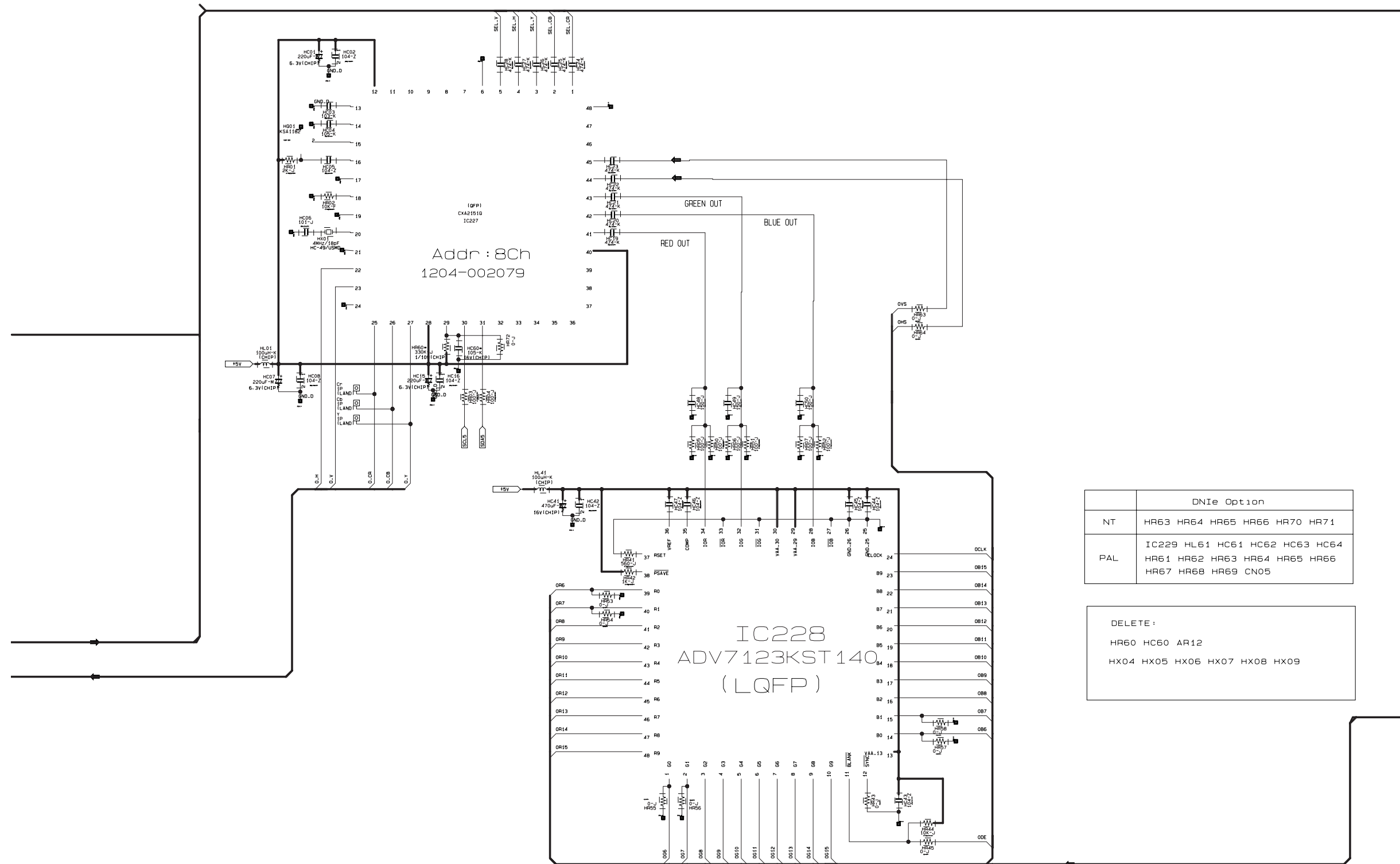
This Document can not be used without Samsung's authorization.



# HDMI & DNIE BLOCK

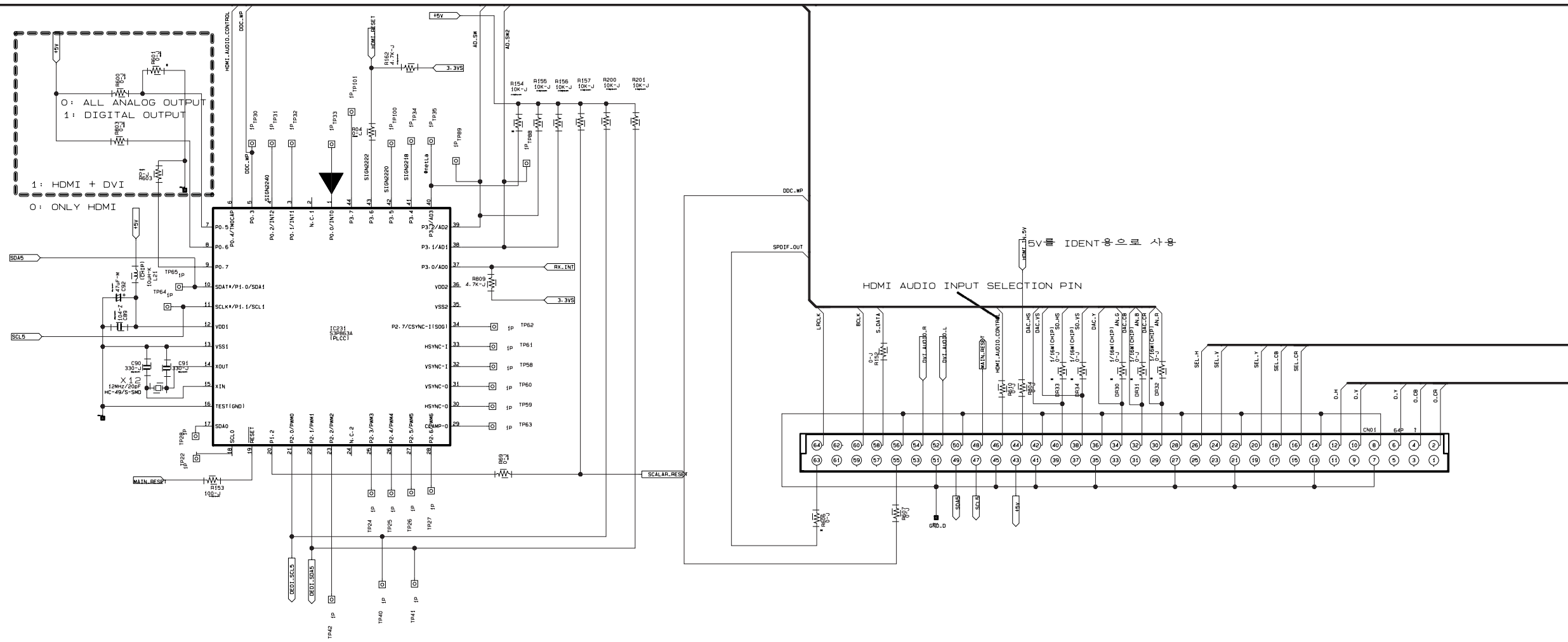
## 7-20 HDMI 6

This Document can not be used without Samsung's authorization.



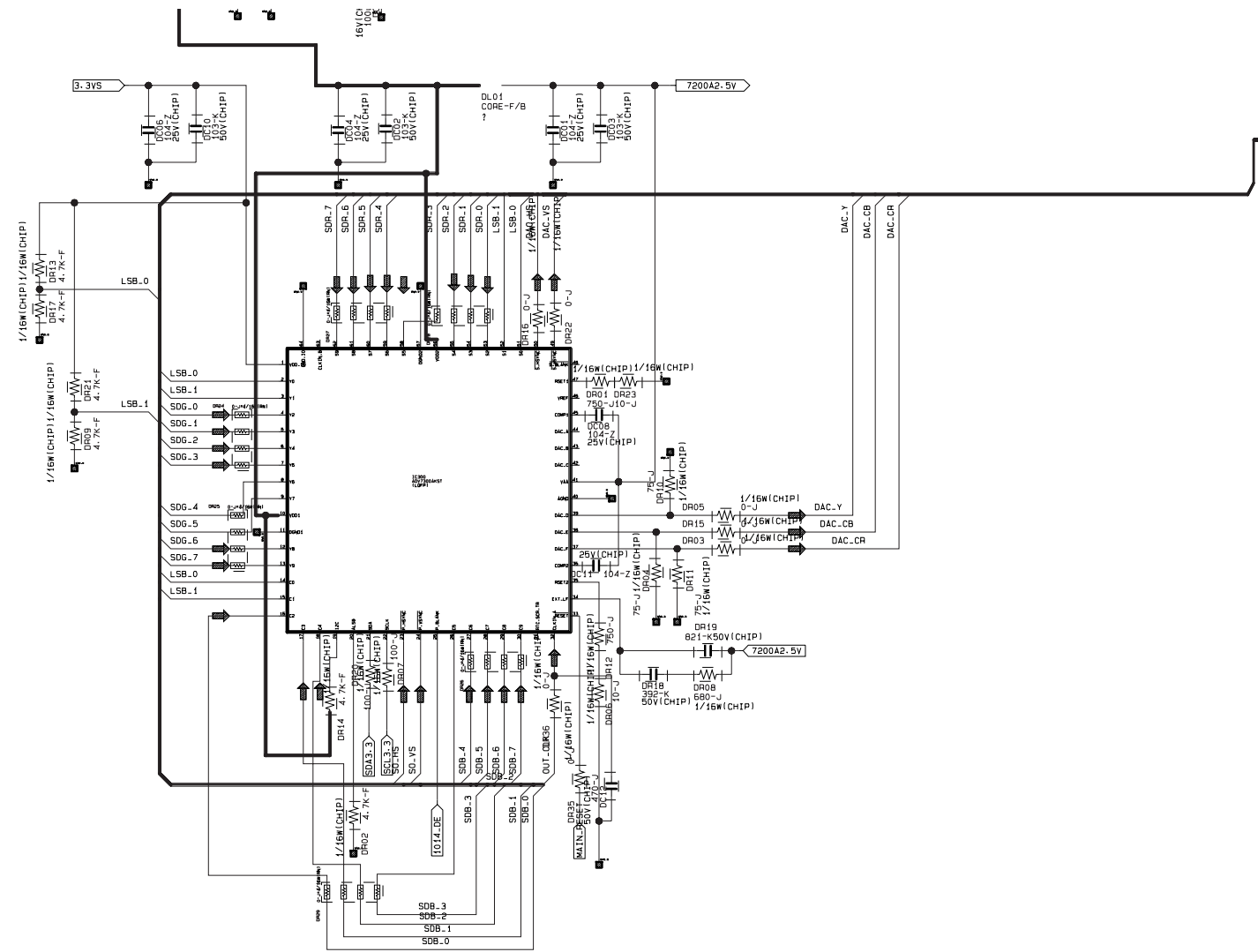
# 7-21 HDMI 7

This Document can not be used without Samsung's authorization.



# 7-22 HDMI 8

This Document can not be used without Samsung's authorization.

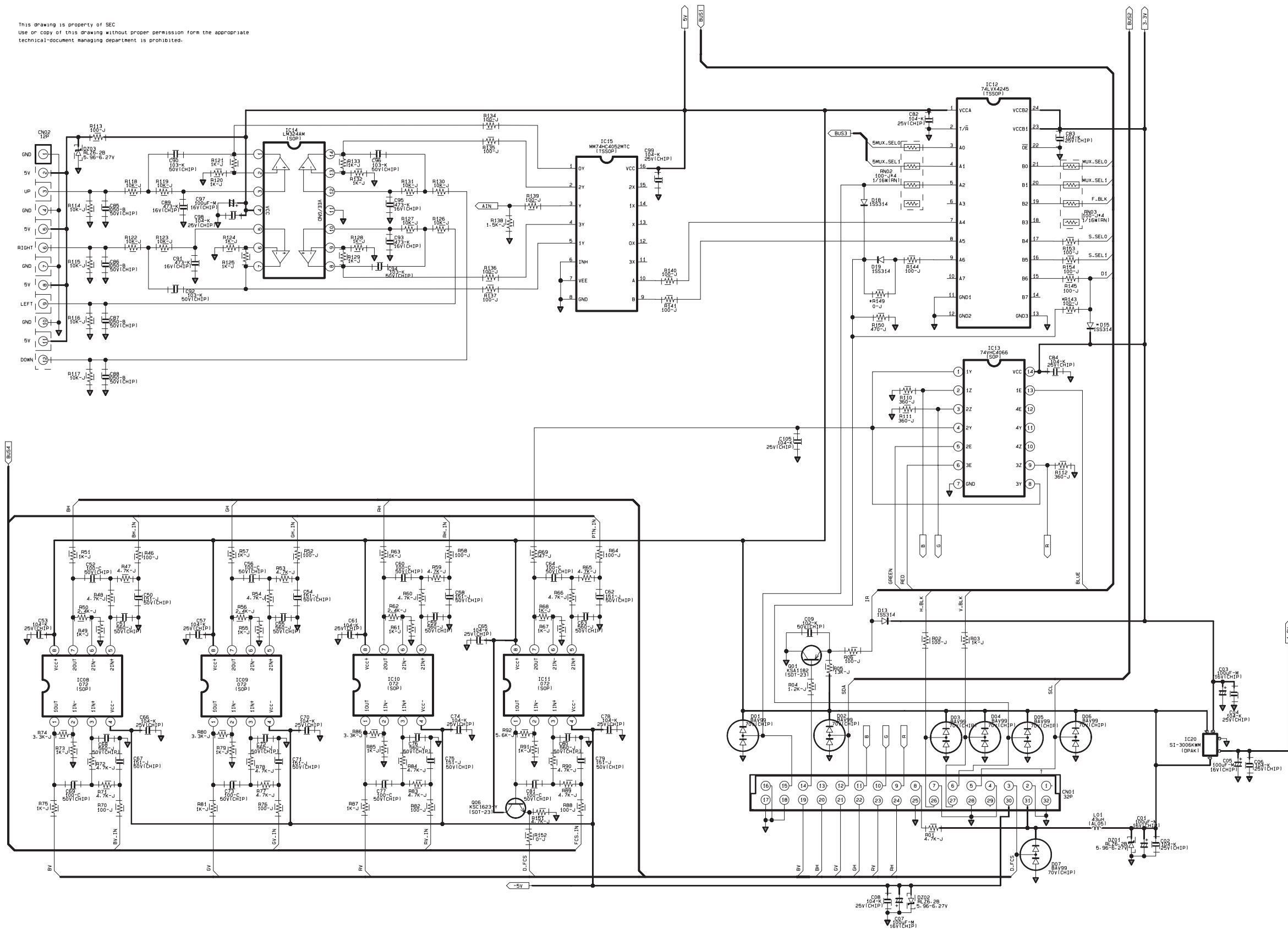




## 7-24 CONVERGENCE MODULE 2

This Document can not be used without Samsung's authorization.

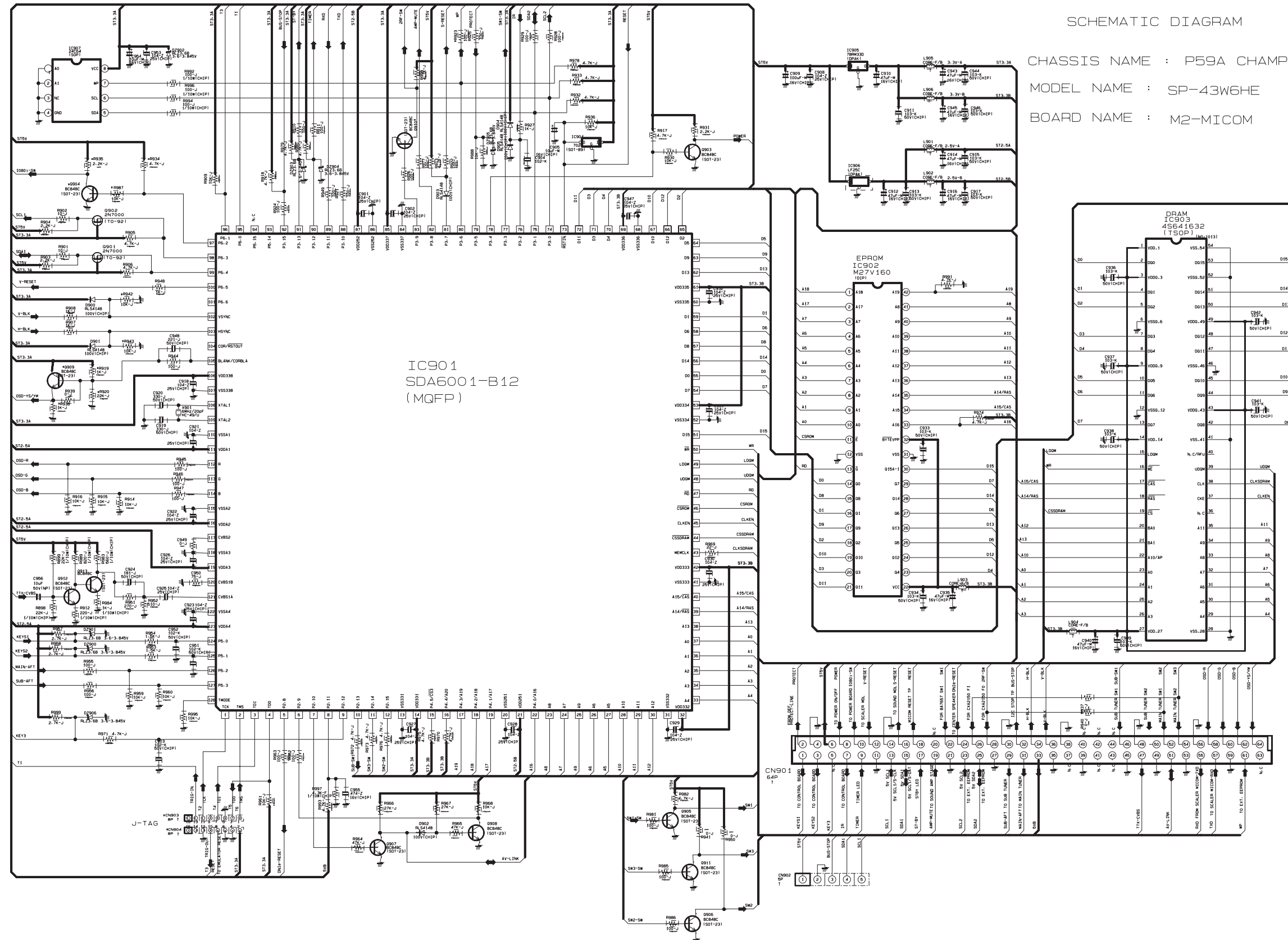
This drawing is property of SEC  
Use or copy of this drawing without proper permission from the appropriate  
technical-document managing department is prohibited.





# 7-25 MICOM

This Document can not be used without Samsung's authorization.



SCHEMATIC DIAGRAM

CHASSIS NAME : P59A CHAMP-PJT  
MODEL NAME : SP-43W6HE  
BOARD NAME : M2-MICOM

IC901  
SDA6001-B12  
(MQFP)

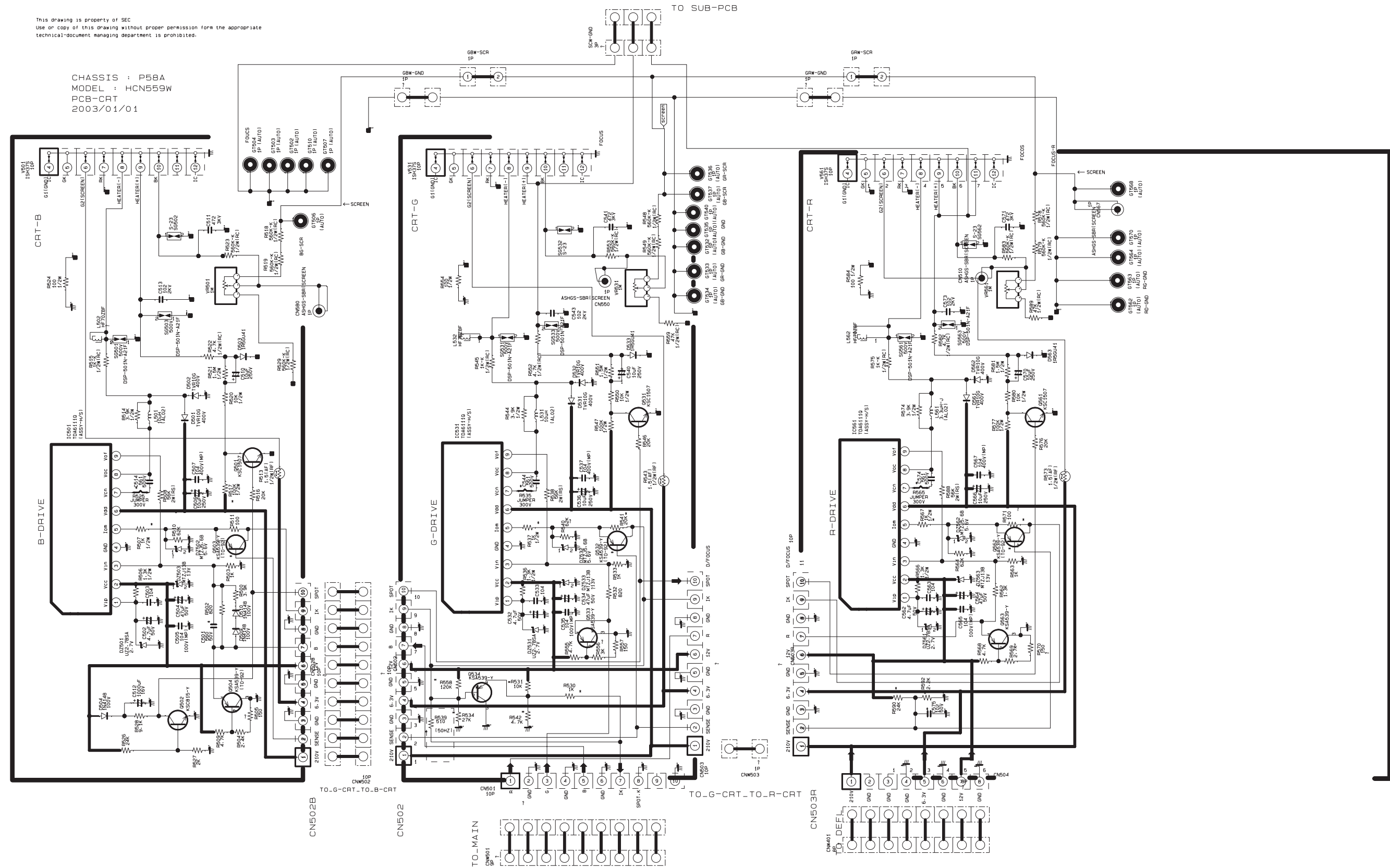
EPROM  
IC902  
M27V160  
16111

DRAM  
IC903  
45641632  
(TSOP)

7-26 CRT

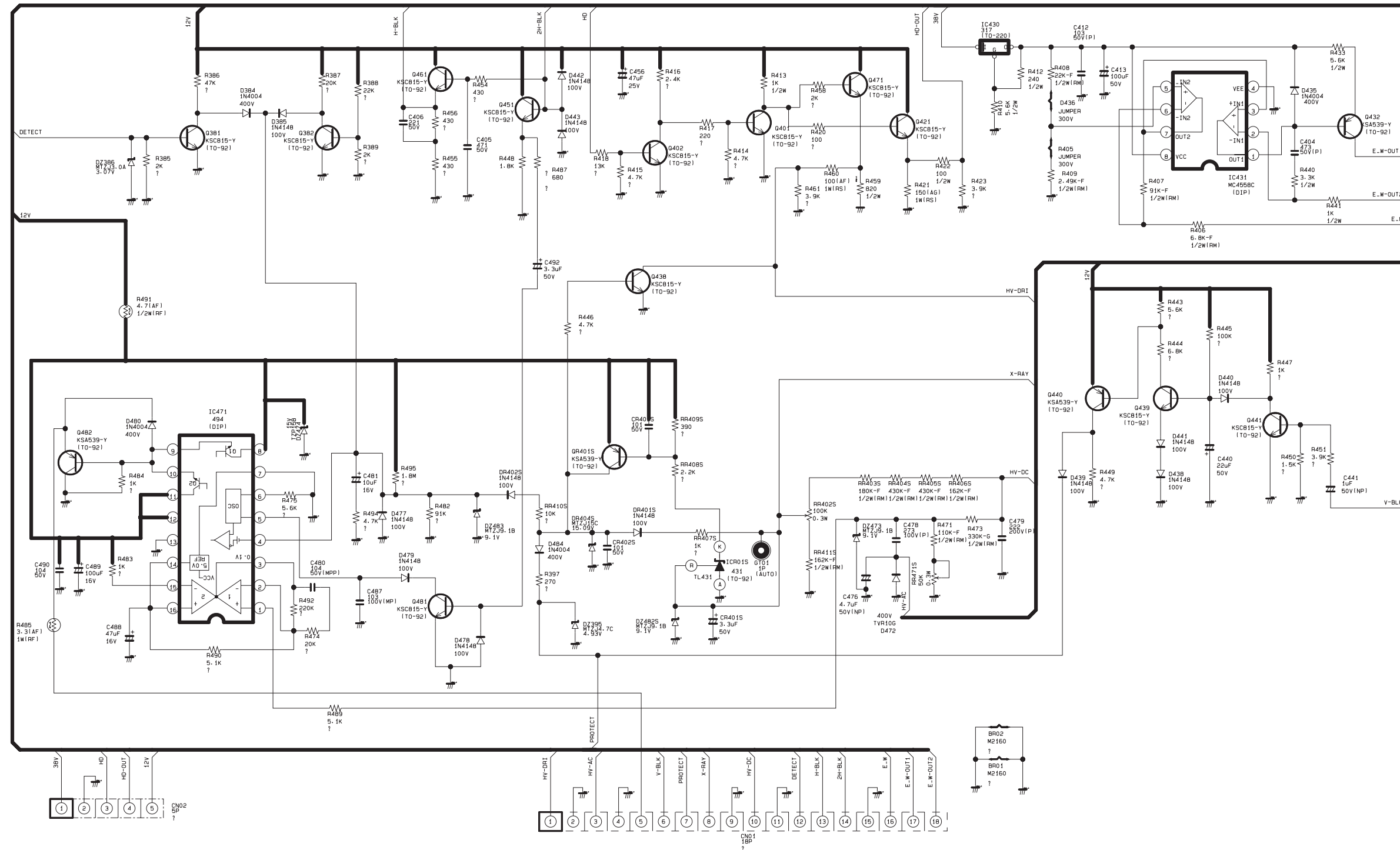
This Document can not be used without Samsung's authorization.

This drawing is property of SEC  
Use or copy of this drawing without proper permission from the appropriate  
technical-document managing department is prohibited.



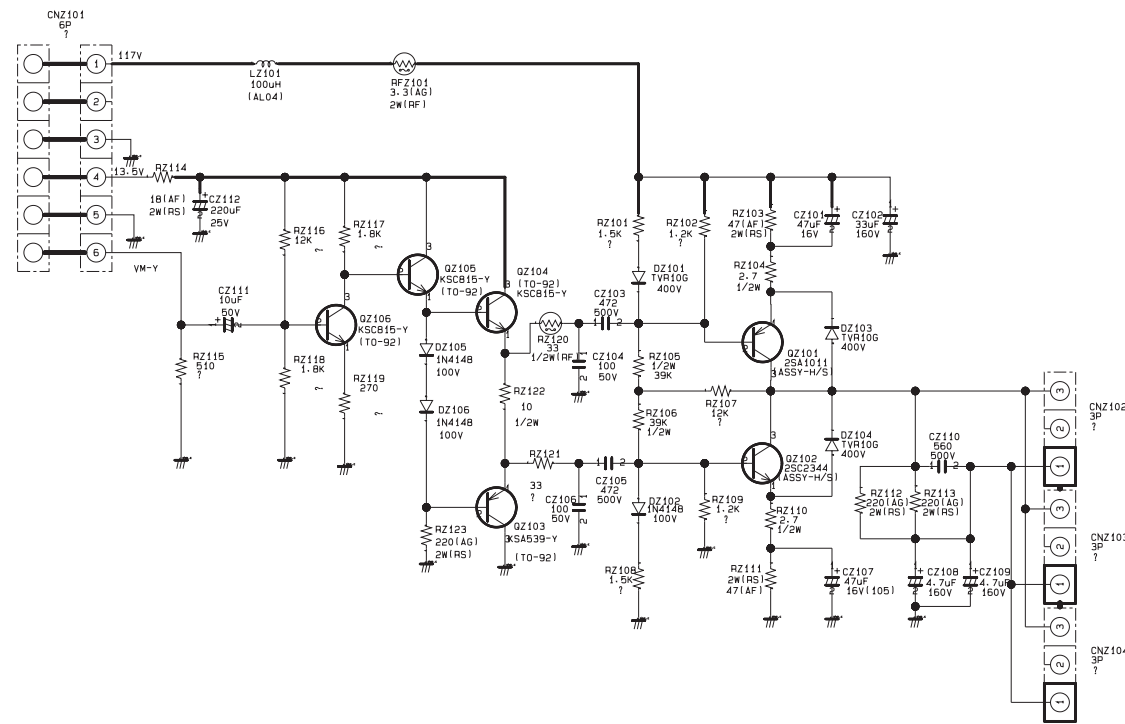
# 7-27 HV MODULE

This Document can not be used without Samsung's authorization.



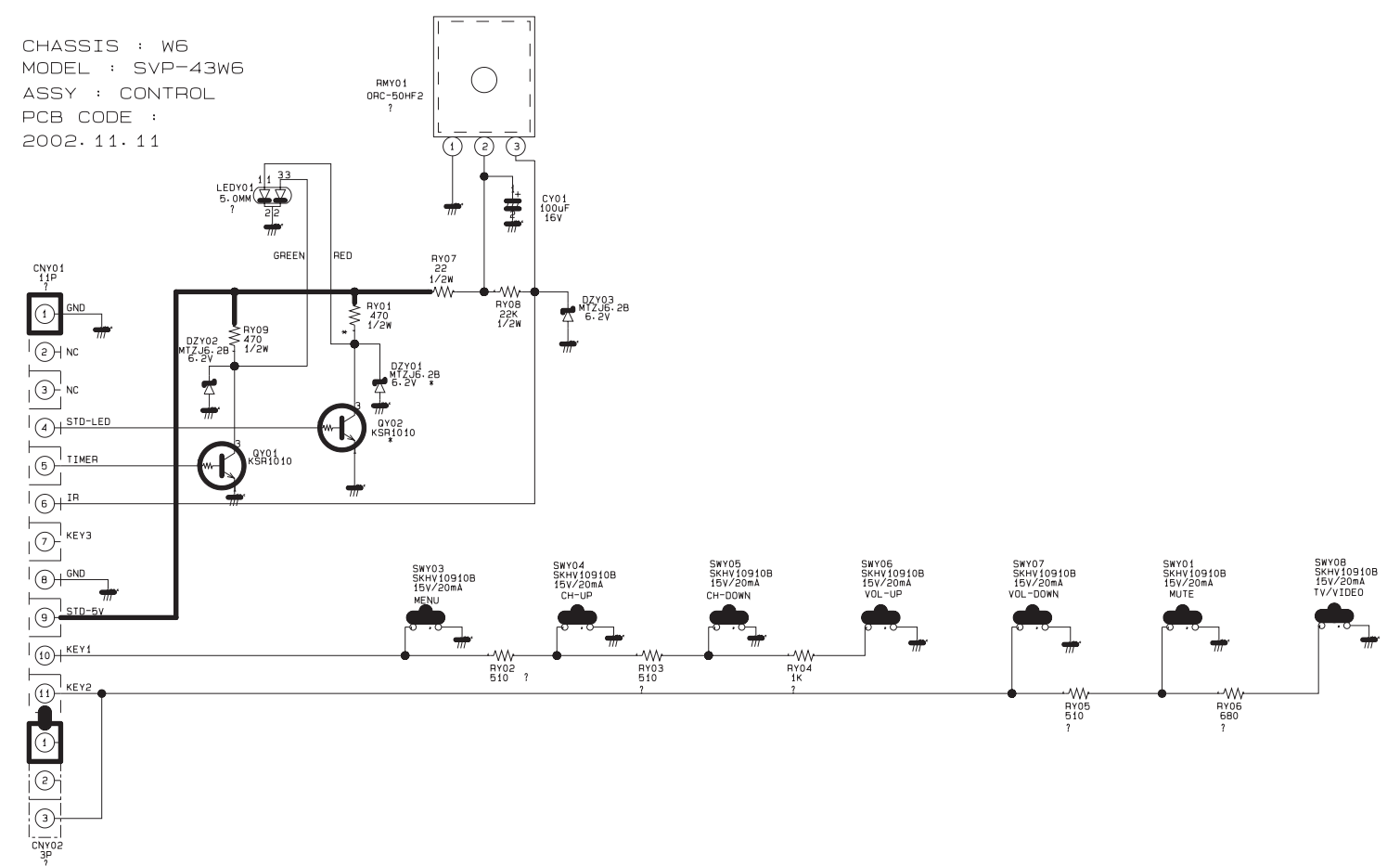
### 7-28 VM

This Document can not be used without Samsung's authorization.



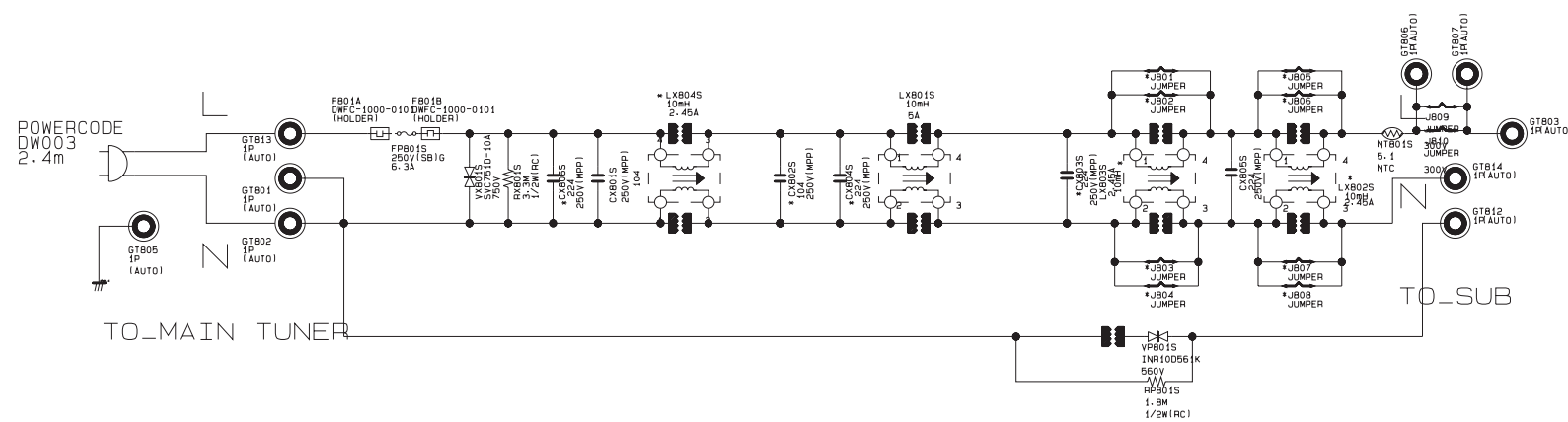
### 7-29 CONTROL

This Document can not be used without Samsung's authorization.



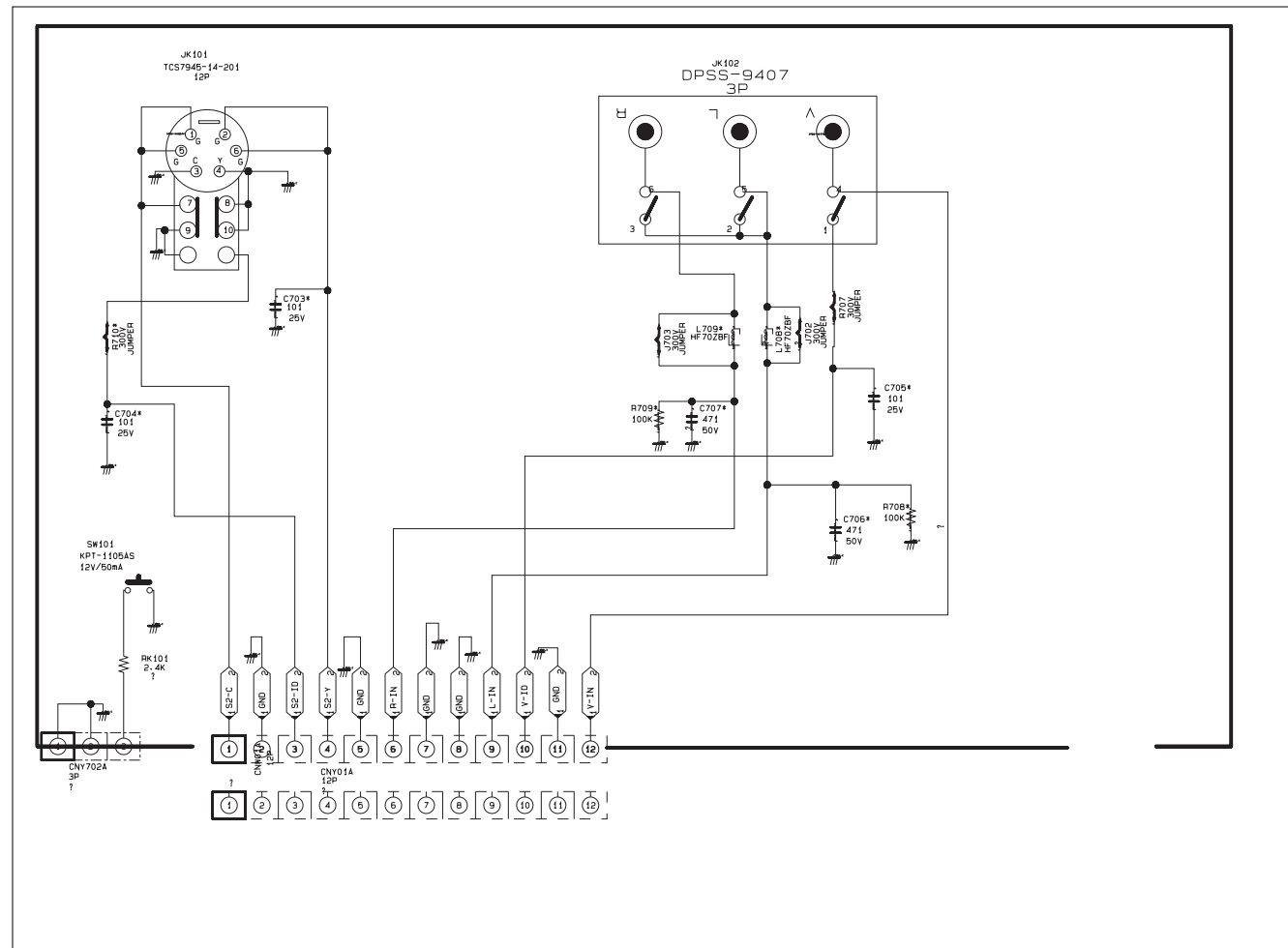
### 7-30 LINE FILTER

This Document can not be used without Samsung's authorization.



### 7-31 FRONT AV

This Document can not be used without Samsung's authorization.



### 7-32 DY JACK

This Document can not be used without Samsung's authorization.

